



*Great sound  
from Barcelona  
since 1972*

[www.amateaudio.com](http://www.amateaudio.com)

## User's manual

# N12P7

# NÍTiD

*#purelynitid*

April 2024

Amate Audio S.L.

EXPORT & CUSTOMER SERVICE  
Perpinyà, 25 · Polígon Industrial Nord  
08226 Terrassa · Barcelona – SPAIN  
T. +34 93 735 65 65  
[export@amateaudio.com](mailto:export@amateaudio.com)

R&D, FACTORY AND MANAGEMENT  
Violinista Vellsolà, 18  
08222 Terrassa · Barcelona – SPAIN  
T. +34 93 736 23 90  
[info@amateaudio.com](mailto:info@amateaudio.com)

## Safety Instructions

1. All safety instructions must be read before using this device.
2. Keep and follow these instructions
3. Heed all warnings
4. The exclamation mark in the triangle indicates internal components which if replaced can affect safety.
5. The lightning symbol within the triangle indicates the presence of dangerous uninsulated voltages.
6. Only clean the device with a dry cloth.
7. Do not block any ventilation openings. Install in accordance with the manufacturer's instructions.
8. Do not install the device near heat sources such as radiators, heaters or other heat-emitting elements.
9. Protect the power cord from being walked on or pinched, particularly at plugs, convenience receptacles, and the point where they exit from the apparatus
10. The equipment must be repaired by qualified technical service personnel when:
  - A. The mains supply cable is damaged, or
  - B. Any object or liquid has damaged the device; or
  - C. The equipment does not function normally or correctly; or
  - D. The equipment has been exposed to the rain; or
  - E. The chassis is damaged
11. Disconnect the device in the case of electric storms or during long periods of disuse.
12. **WARNING** – To reduce the risk of fire or electric shock, do not expose this device to rain or moisture
13. The equipment shall not be exposed to dripping or splashing and no objects filled with liquids, such as vases, shall be placed on the device.
14. For hanging and installation, use manufacturer recommended accessories only.

# 1. INTRODUCTION

## 1.1. General

Amate Audio would like to thank you for your confidence in our NÍTID Series. We suggest you to carefully read the following instructions in order to obtain the best results in performance.

## 1.2. Features and presentation

### N12P7

- Passive acoustic system
- NL4MPR Speakon input & parallel output
- 700 W program power
- Sensitivity 1 W / 1 m: 98 dB
- 1 x 12" woofer with 2.5" voice coil
- 1.4" PETP diaphragm driver
- 50° to 100° (H) x 55° (V) asymmetrical dispersion horn

## 2.1. Connection description

**A) SPEAKON:** The N12P7 uses two NL4MPR Speakon terminals and is duly prepared for a perfect connection in a parallel system. Terminal Pins +1/-1 must be always used, disregarding the +2/-2 which are not internally connected. Respect always the polarity +/-.

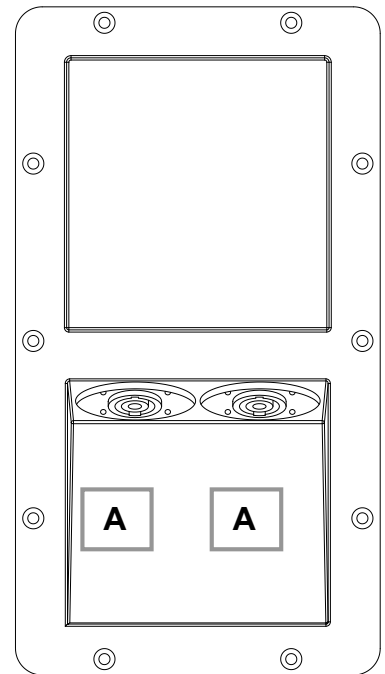


Fig. 1. NITID (passive) connectors



It is strongly recommended to use a two-conductor high quality wire, non-shielded and two-coloured. We recommend using a minimum section of 4 mm<sup>2</sup> for each conductor. Avoid long wire distances as they induce to important power and quality losses.

## 2.2. Configurations

### 2.2.1. Full-range stereo configuration

Connect each output of the amplifier LEFT/RIGHT to each cabinet using two independent wires.

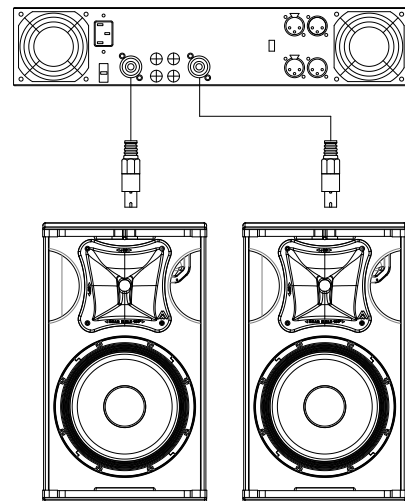
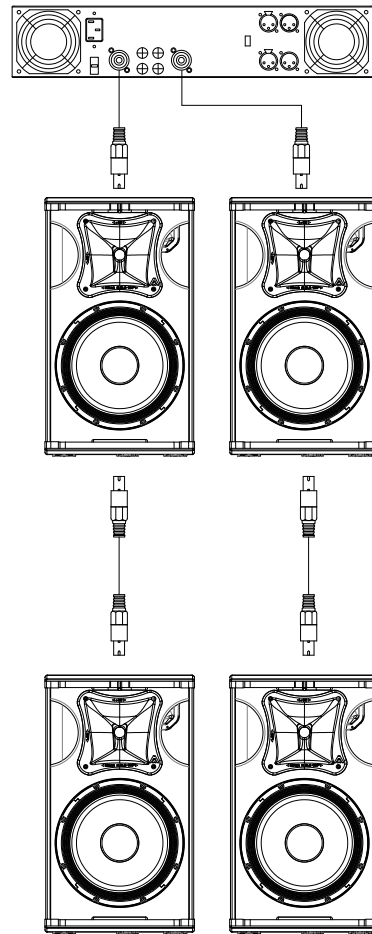


Fig. 2. Full-range stereo configuration

**2.2.2. Full-Range parallel stereo configuration**

Connect the amplifier's output to the Speakon's input of the first cabinet, always respecting the polarity positive +1, negative -1. Then, make a bridge from the first cabinet to the second one.



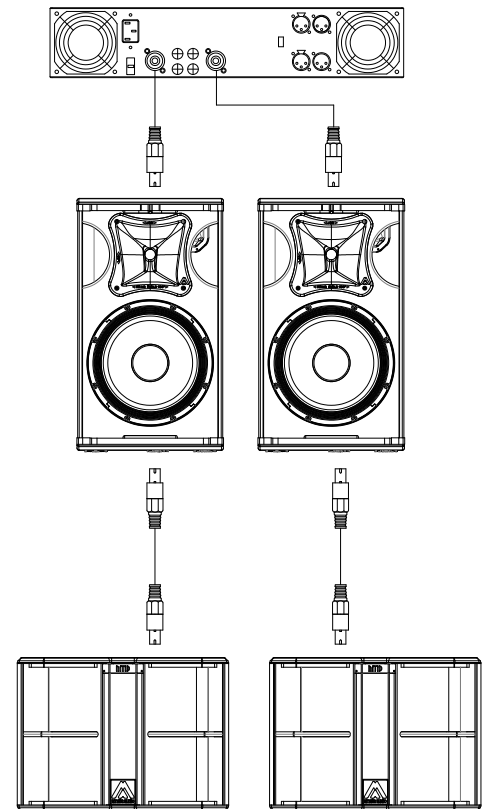
**Fig. 3.** Full-range parallel stereo configuration

**2.2.3. Passive configuration with subwoofer**

There will be times when you will be interested in reinforcing your NITID Systems with subwoofer units, in passive mode. In this case only one amplifier will be used for the whole system.

Connect one of the outputs of the amplifier to the subwoofer through a wire. Then, make a bridge from the link Speakon connector of the subwoofer to its respective mid-high top unit, always respecting the correct polarity between both systems. Do the same with the other channel.

It is also correct, if the installation requires so, to make the connection in the opposite way, that is, from the amplifier to the top cabinet and then to the subwoofer.



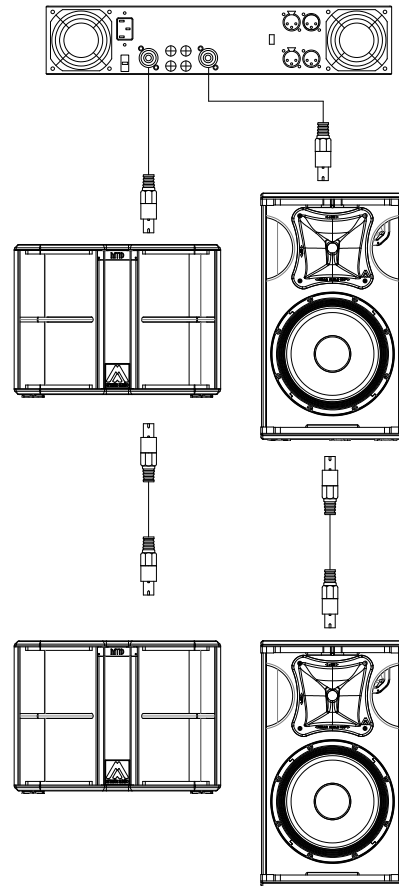
**Fig. 4.** Passive configuration with subwoofer

**2.2.4. Bi-Amplified configuration with subwoofer**

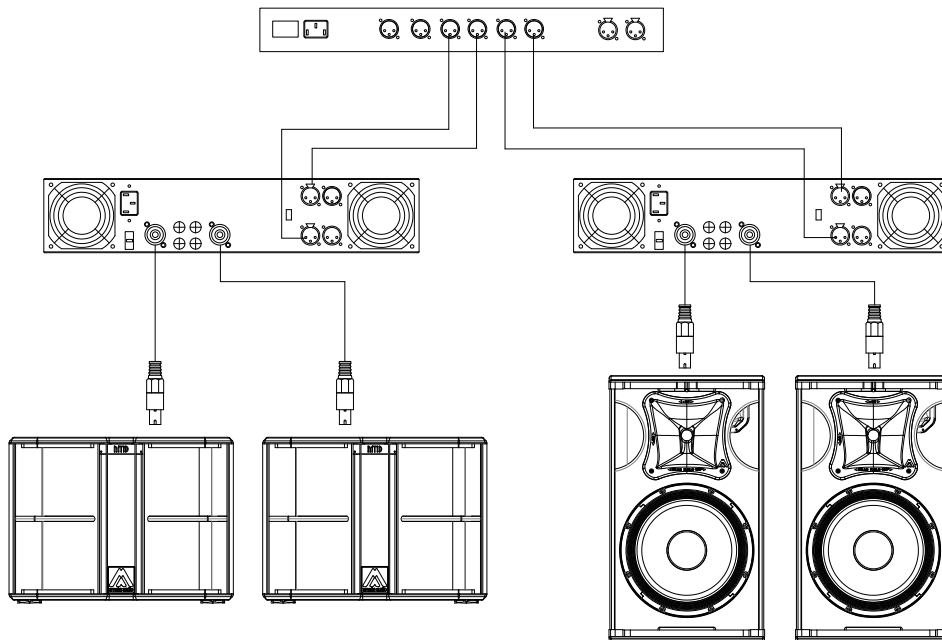
A wire with the maximum available section (4mm<sup>2</sup> minimum) should link the low frequencies output channel of the amplifier to one of the subwoofers. Two subwoofers can be also connected by bridge one to another, as long as the polarity is strictly respected.

Connect the other output of the amplifier to the Full-Range cabinets.

It is also possible to use only one amplifier for the low reinforcement, connecting each one of the subwoofers to the two outputs of the amplifier and consequently, connecting the Full Range cabinets to a second amplifier.



**Fig. 5.** Bi-amplified with subwoofer configuration (option 1)



**Fig. 6.** Bi-amplified with subwoofer configuration (option 2)



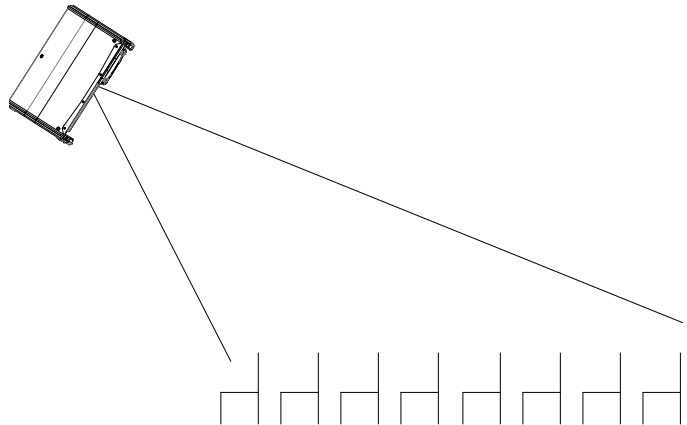
In order to allow a bridge connection between cabinets, each one of them has been provided with two Speakon connectors that allow the Input / Output function indistinctly. Terminal Pins +1/-1 must be always used, disregarding the +2/-2 which are not internally connected.

### 3. MOUNTING AND PLACEMENT

For a proper installation of the acoustic cabinet systems, it is strongly recommended to carefully read the following advices.

#### 3.1. Placement

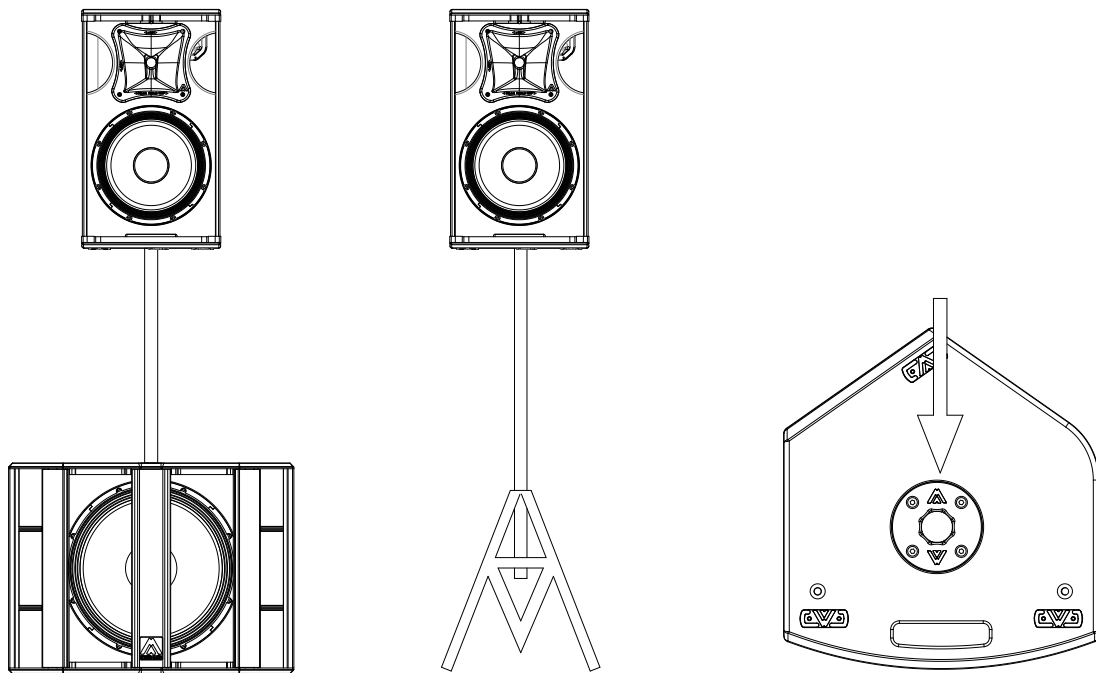
When possible, cabinets should be located in a high position, slightly inclined to the audience. If the loudspeakers are located too low, the listeners at the end of the room will not hear a good sound quality.



**Fig. 7.** Flying placement

#### 3.2. Use with subwoofer or tripod

The N12P7 is equipped with a 35 mm socket for mounting the speaker on a subwoofer or tripod. Be careful not to use this system on non-flat surfaces as it may become unstable.



**Fig. 8.** Use with subwoofer and tripod

#### 3.3. Asymmetrical and rotatable horns

The N12P7 incorporates an asymmetrical dispersion horn, which will optimise coverage. To rotate the horn, unscrew the frontal grille, and then, unscrew the four fixing screws of the horn. Rotate it 180 degrees taking care of the wires. Screw the horn again and finally place the frontal grille in its right position.

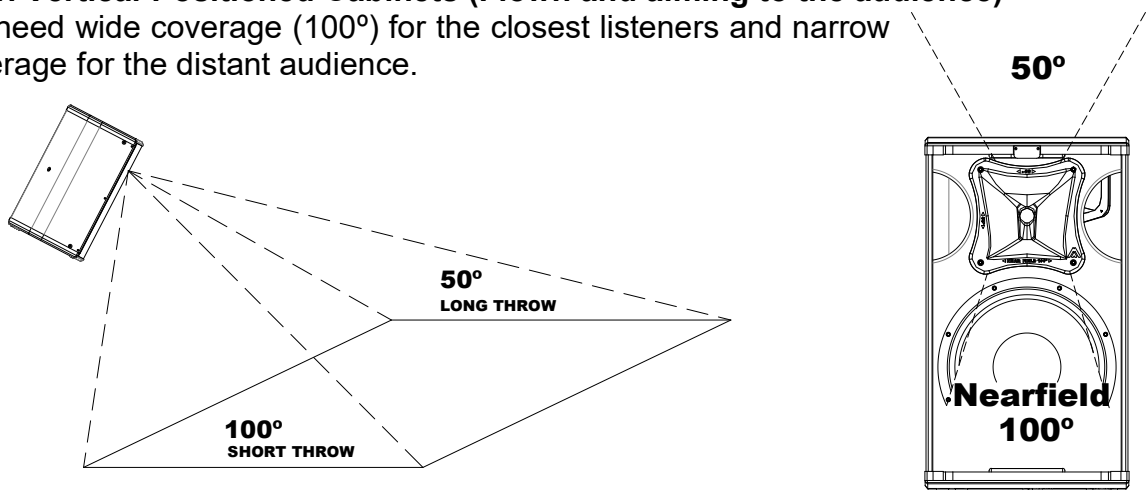
Good coverage of audiences often is a conflicting combination of:

- wide coverage for the closest audience (short throw)
- narrow coverage for distant areas (long throw)

The asymmetrical dispersion horn coverage varies from "short throw" to "long throw" along the vertical axis (keeping a constant vertical directivity). In conclusion, directivity feature of (50° to 100° (H), 55° (V)) can be seen as if the horn itself had "two" horizontal directivities, which depend on the distance. For short distances the horn should be used with its "wide" dispersion (100°). For long distances the horn should be used with its "narrow" dispersion (50°). We suggest you to pay attention to the following examples.

**3.3.1. Vertical-Positioned Cabinets (Flown and aiming to the audience)**

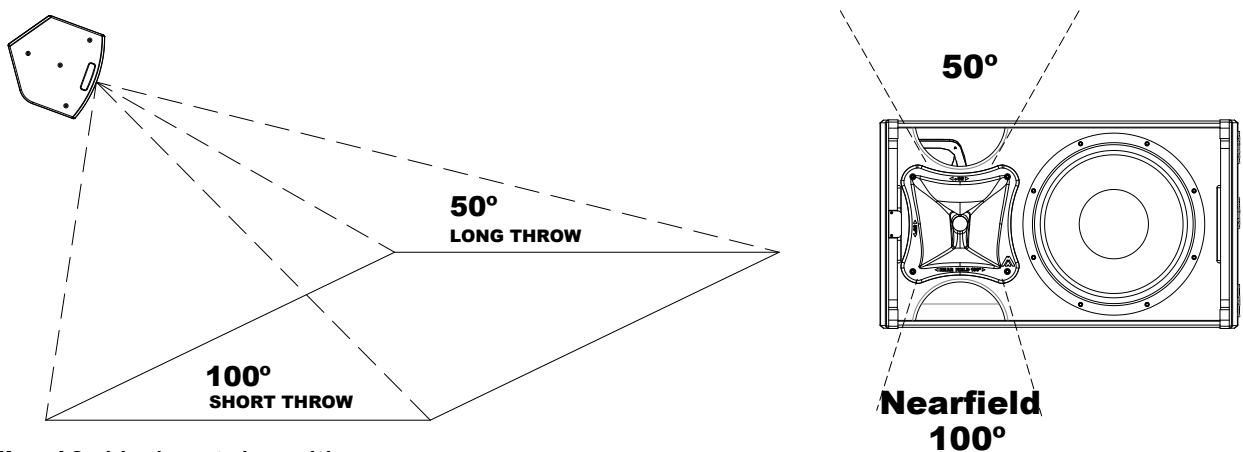
We need wide coverage (100°) for the closest listeners and narrow coverage for the distant audience.



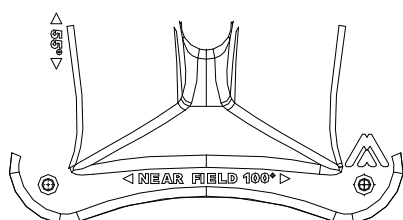
**Fig. 9.** Vertical position

**3.3.2. Horizontal-Positioned Cabinets (Flown and aiming to the audience)**

We need wide coverage (100°) for the closest listeners and narrow coverage for the distant audience.



**Fig. 10.** Horizontal position



The horns have the "Nearfield" mark printed on the 100° horizontal coverage side.

**Fig. 11.** "Near Field" logo

### 3.3.3. Stage monitor use

#### Case 1

We need wider coverage (100°) when musicians are closer to the cabinet than when they move away from it (50°).

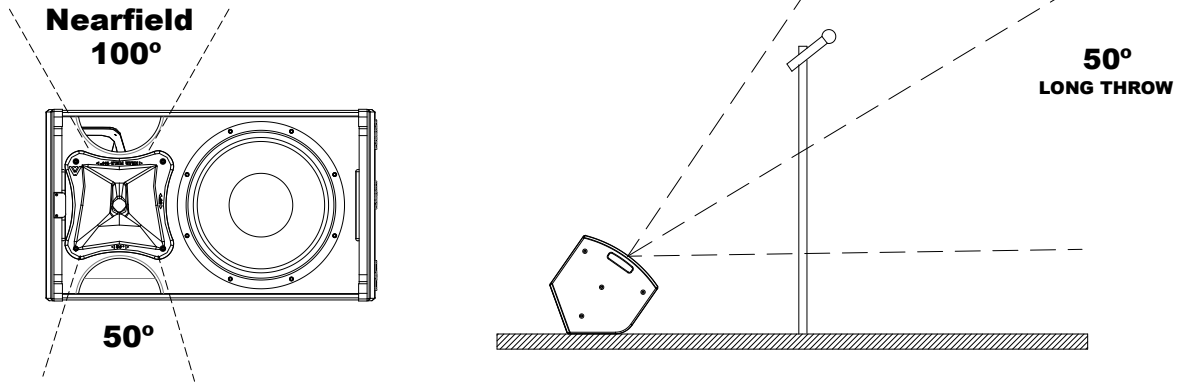


Fig. 12. Stage monitor use (case 1)

#### Case 2

We need wider coverage (100°) when performers move away from the cabinet (long stages) than when they are close to it (50°).

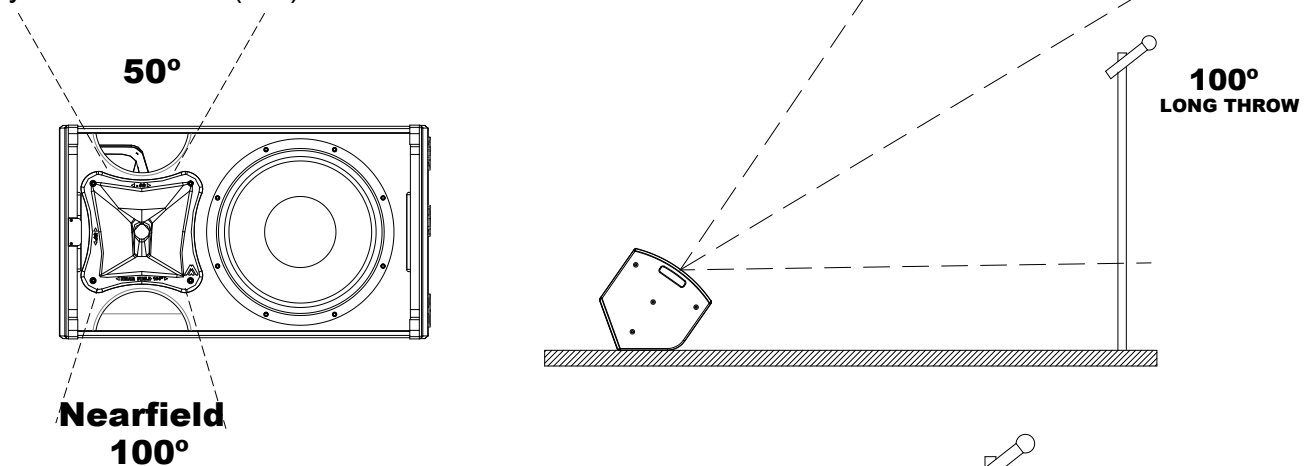


Fig. 13. Stage monitor use (case 2)

### 3.4. Rotatable logo

All grille's logo can be rotated.

### 3.5. Stage monitor use

The wedge shape of N12P7 units allows for use as onstage monitor without the need of incorporating any other accessory.

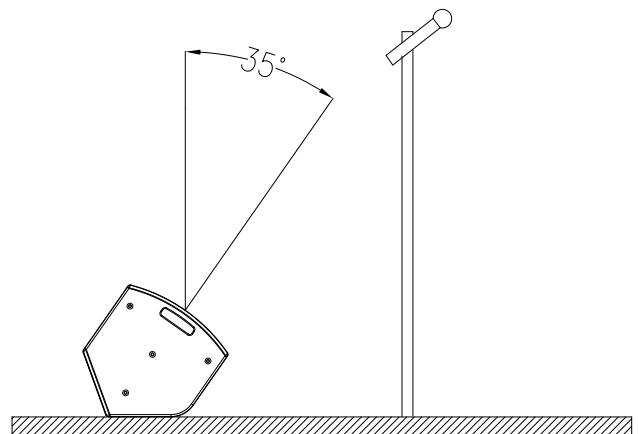


Fig. 14. Use as on-stage monitor

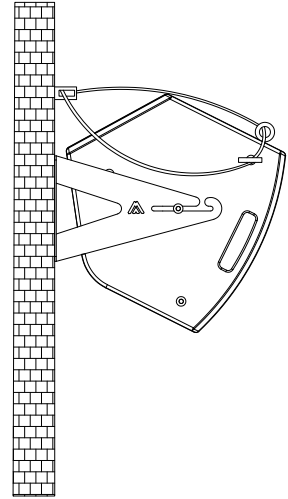


### 3.6. Flying

Only experienced people should fly speaker cabinets. Extreme care should be taken to assure the load bearing capabilities of the structures where the cabinets will be placed. Hanging hardware (as chains, eyebolts, lock pins...) should be regularly inspected and replaced if in doubt.



**DO NOT SUSPEND THE CABINETS FROM THE HANDLES**



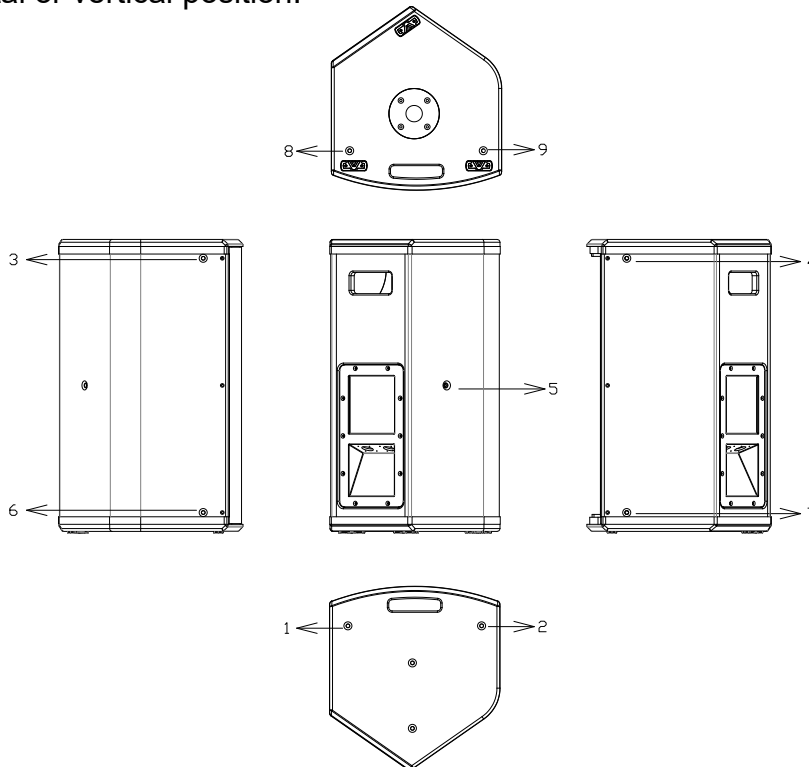
#### 3.6.1. Horizontal flying with U-BL wall-mount bracket

The N12P7 may be wall-mounted by the UB-L wall-mount bracket accessory. Refer to “U-BL instructions manual” for more information

**Fig. 15.** U-BL bracket

#### 3.6.2. Vertical and horizontal flying with ACR-M8 eyebolts

The N12P7 provides several M8 flying points. Their correct use will permit the flying in horizontal or vertical position.

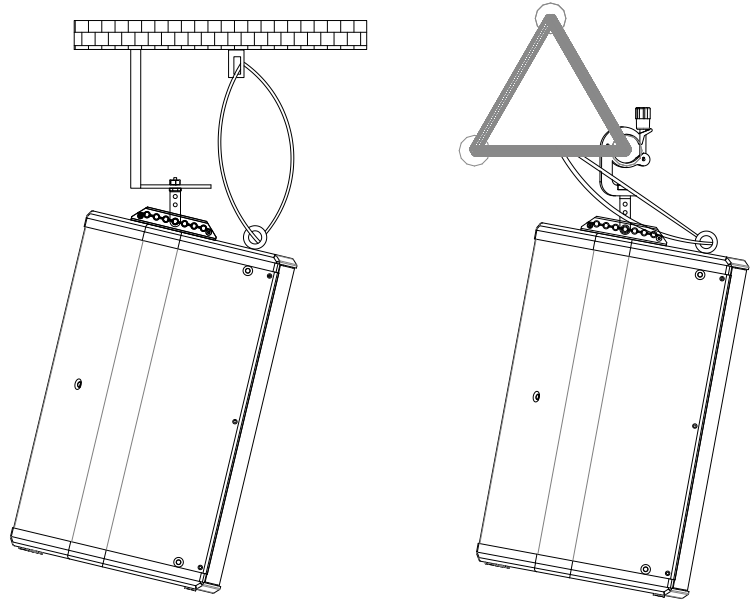


	<b>N12P7</b>
<b>Horizontal flying</b>	3&6 or 4&7 or 1&8 or 2&9 (front rigging points) 5 (back tilt point)
<b>Vertical Flying</b>	1&2 or 3&4 (front rigging points) 5 (back tilt point)

**Fig. 16.** N12P7 rigging points

**3.6.3. Vertical flying with HR-S and HR-S/GT bar**

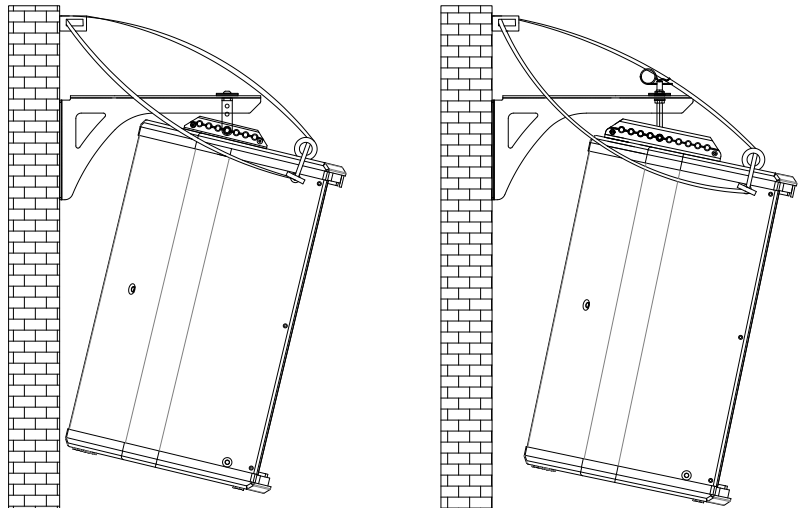
For the N12P7, use HR-S or HR-S/GT flying bar for vertical flying. Refer to “HR-S instructions manual” and “HR-S/GT instructions manual” for more information.



**Fig. 17.** HR-S and HR-S/GT flying bar for N12P7

**3.6.4. Vertical flying with SP-WHR**

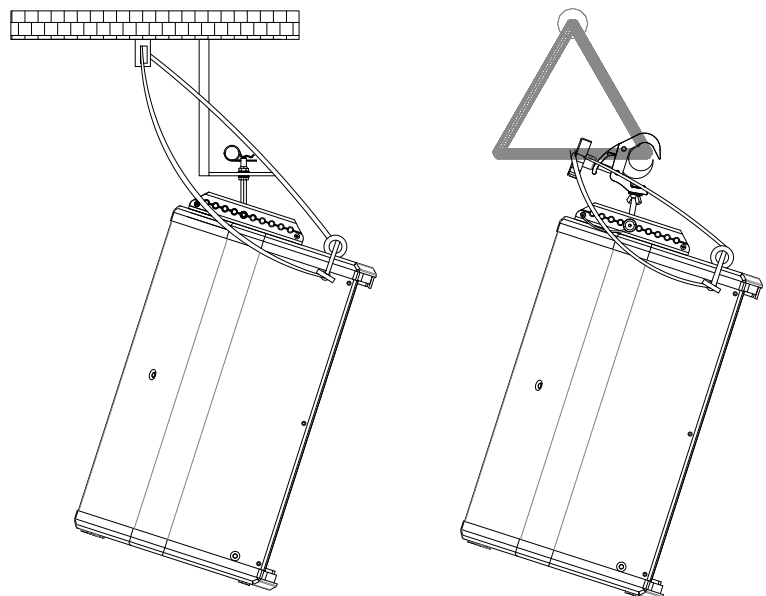
The SP-WHR is an optional accessory for mounting on wall (vertical orientation. Refer to “SP-WHR instructions manual” for more information.



**Fig. 18.** SP-WHR bracket

**3.6.5. Vertical flying with RB-S and RB-S/GT bar**

For the N12P7, use RB-S or RB-S/GT flying bar for vertical flying. Refer to “RB-S instructions manual” and “RB-S/GT instructions manual” for more information.



**Fig. 19.** RB-S and RB-S/GT flying bar for N12P7

### 3.7. NITID GRILLE

To remove the front grille, first remove the screws on both the left and right side. Insert two bent paper clips into the holes in the grille and carefully pull it off.

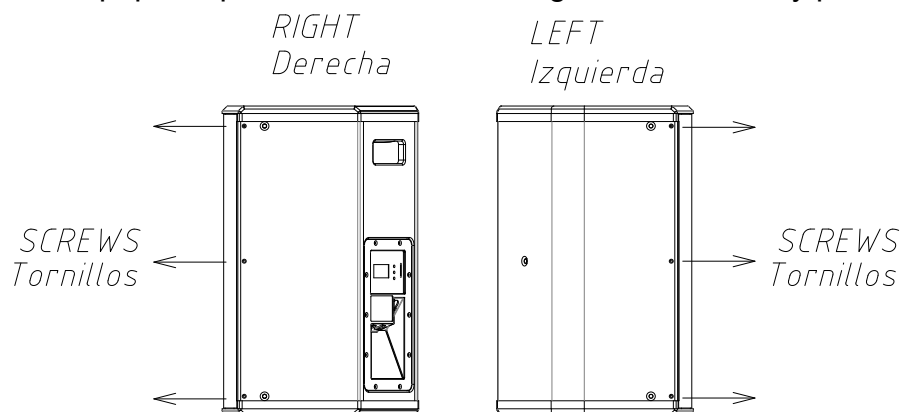


Fig. 20. Grille screws

## 4. TECHNICAL FEATURES

<b>N12P7</b>	
<b>Impedance</b>	
Nominal	8 Ω
<b>Power</b>	
R.m.s	350 W
Program	700 W
Connectors	1 x Speakon NL4MPR input 1 x Speakon NL4MPR link
<b>Audio Performance</b>	
Frequency response (-10 dB usable bandwidth)	52Hz – 19kHz
SPL (1W / 1m)	98 dB
Nominal directivity (-6dB)	50° to 100° (H) x 55° (V)
<b>Components</b>	
LF	1 x 12" woofer (2.5" voice coil)
HF	1 x 1.4" PETP diaphragm driver
<b>Cabinet</b>	
Type	Bass-reflex
Height	623 mm
Width	360 mm
Depth	390 mm
Weight (net)	19.2 Kg
Material	Multilayer birch plywood
Finish	Hi-resistance black matt Polyurea coating. 2 mm steel front grille with black acoustic mesh.

**Note:** Specifications subjected to change without prior notice.



*Great sound  
from Barcelona  
since 1972*

---

The **NITID** loudspeaker systems have been designed,  
engineered and manufactured in Barcelona – SPAIN  
by

---

**Amate Audio S.L.**

Perpinyà, 25 · Polígon Industrial Nord · 08226 Terrassa  
T. +34 93 735 65 65 – F. +34 93 735 60 48 –  
info@amateaudio.com

R&D and FACTORY:  
Violinista Vellsolà, 18 · 08222 Terrassa  
T. +34 93 736 23 90 – F. +34 93 786 47 00

**Barcelona – SPAIN**

---

[www.amateaudio.com](http://www.amateaudio.com)