

KEY

Unlock the beat!

KEY8 / KEY10 / KEY12 / KEY15 / KEY15W / KEY18W



Copyright © 2016
All rights reserved

Pol.Ind.Norte-Perpinyà,25
08226 TERRASSA (Barcelona-SPAIN)

info@amateaudio.com
www.amateaudio.com

Sept 16
User's manual / Manual usuario

ENGLISH

1. INTRODUCTION

1.1. General

Amate Audio would like to thank you for your confidence in our KEY Series. We suggest you to read the following instructions carefully in order to obtain the best performance.

1.2. Features and presentation

KEY8

- Two-way Full Range Speaker System
- 8" woofer with kevlar cone and 1.5" voice coil
- 1" titanium diaphragm neodymium tweeter
- Accurate designed crossover to achieve the best performance
- 240W musical program
- Sensitivity: 93 dB (1W/1m)

KEY10

- Two-way Full Range Speaker System
- 10" woofer with 2" voice coil
- 1" kevlar diaphragm driver
- 70° (H) x 40° (V) dispersion horn
- Accurate designed crossover to achieve the best performance
- 300W musical program
- Sensitivity: 95 dB (1W/1m)

KEY12

- Two-way Full Range Speaker System
- 12" woofer with 2" voice coil
- 1" kevlar diaphragm driver
- 70° (H) x 40° (V) dispersion horn
- Accurate designed crossover to achieve the best performance
- 400W musical program
- Sensitivity: 97 dB (1W/1m)

KEY15

- Two-way Full Range Speaker System
- 15" woofer with 2.5" voice coil
- 1" kevlar diaphragm driver
- 70° (H) x 40° (V) dispersion horn
- Accurate designed crossover to achieve the best performance
- 500W musical program
- Sensitivity: 98 dB (1W/1m)

KEY15W

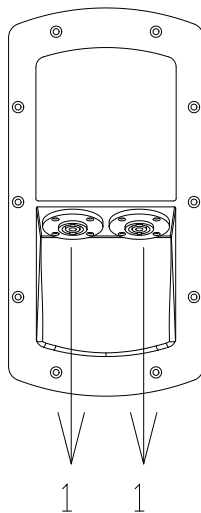
- Low frequency reinforcement unit
- 15" woofer with 3" voice coil
- 600W musical program
- Sensitivity: 95 dB (1W/1m)
- Passive-parallel or bi-amplified use with KEY8/KEY10/KEY12

KEY18W

- Low frequency reinforcement unit
- 18" woofer with 4" voice coil
- 1000W musical program
- Sensitivity: 97 dB (1W/1m)
- Passive-parallel or bi-amplified use with KEY8/KEY10/KEY12/KEY15

2. CONNECTIONS

2.1. Connection description



(1)-SPEAKON: All models use two Speakon terminals and are duly prepared for a perfect connection in a parallel system. Terminal pins +1/-1 must be always used, disregarding the +2/-2 which are not internally connected.

WARNING: It is strongly recommended to use a two-conductor high quality wire, non-shielded and two-coloured. We recommend using a minimum section of 4mm² for each conductor. Avoid long wire distances as they induce to important power and quality losses

Fig.1. KEY (passive) connectors

2.2. Configurations

2.2.1. Full Range Stereo configuration

Connect each output of the amplifier LEFT/RIGHT to each cabinet using two independent wires.

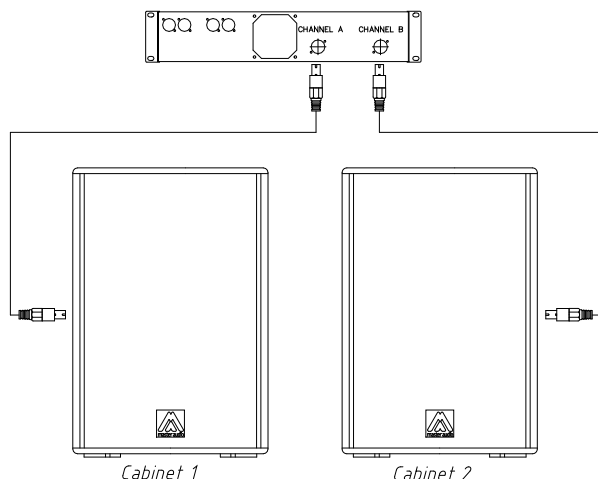


Fig.2. Full range stereo configuration

2.2.2. Full Range Parallel configuration

Connect the amplifier's output to the Speakon's input of the first cabinet, always respecting the polarity positive +1, negative -1. Then, make a bridge from the first cabinet to the second one. This configuration allows you to connect up to four cabinets to the same amplifier.

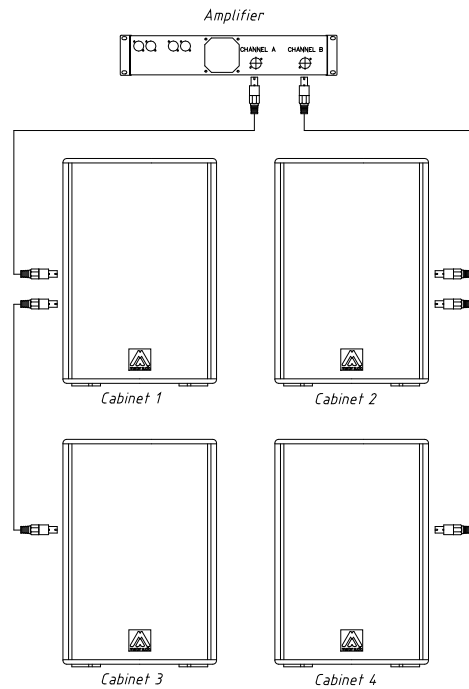
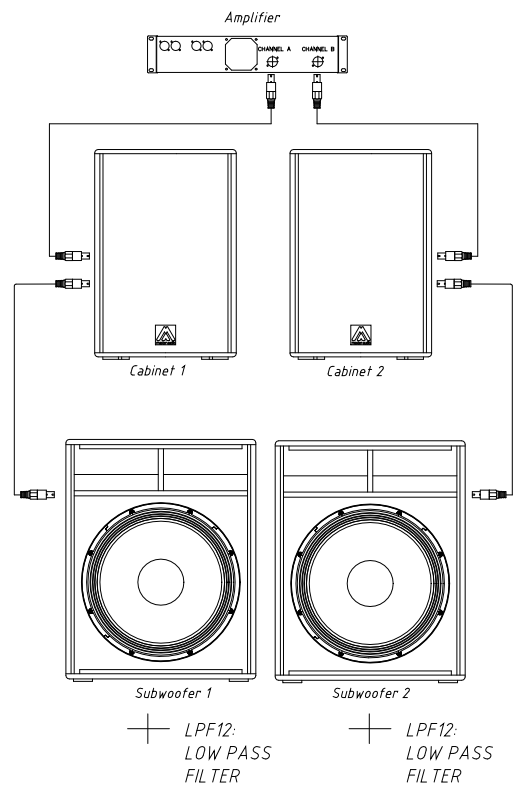


Fig.3. Full range parallel configuration

2.2.3. Passive configuration with Subwoofer

There will be times when you will be interested in reinforcing your KEY systems with subwoofer units, in passive mode. In this case only one amplifier will be used for the whole system.

Connect one of the outputs of the amplifier to the subwoofer through a wire. Then, make a bridge from the slave Speakon connector of the subwoofer to its respective mid-high top unit, always respecting the correct polarity between both systems. Do the same with the other channel. It is also correct, if the installation requires so, to make the connection in the opposite way, that is, from the amplifier to the satellite and then to the subwoofer.



Note: when using this configuration, make sure to use a LPF (Low pass filter) on the subwoofer unit (refer to “LPF12 accessory”).

Fig.4. Passive with subwoofer configuration

2.2.4. Bi-Amplified configuration with Subwoofer

A wire with the maximum available section (4mm² minimum) should link the low frequencies output channel of the amplifier to one of the subwoofers. Two subwoofers can be also connected by bridge one to another, as long as the polarity is strictly respected.

Connect the other output of the amplifier to the Full Range cabinets.

Note: when using this configuration, make sure to use a LPF (Low pass filter) on the subwoofer units (refer to “LPF12 accessory”).

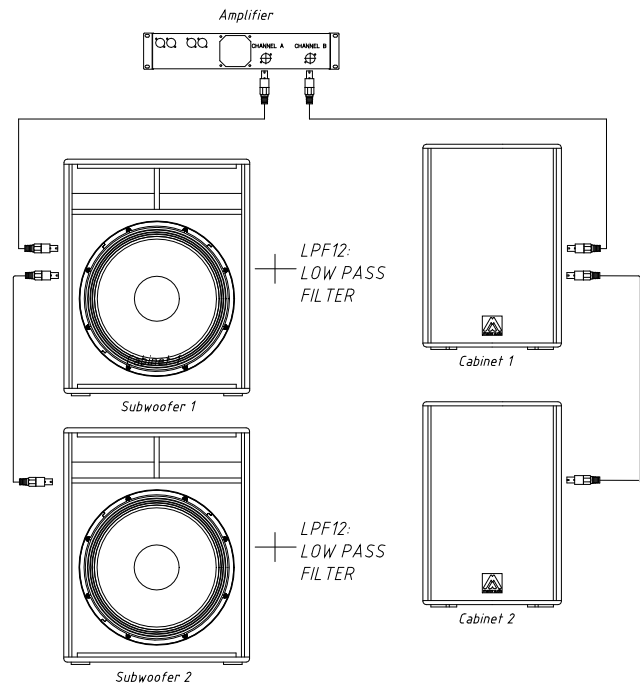


Fig.5. Bi-amplified with subwoofer configuration (option 1)

It is also possible to use only one amplifier for the low reinforcement units, connecting each one of the subwoofers to the two outputs of the amplifier and consequently, connecting the Full Range cabinets to a second amplifier.

Note: when using this configuration, make sure to use an external DSP with a low pass filter for the subwoofer units and a high pass filter for the full-range cabinets.

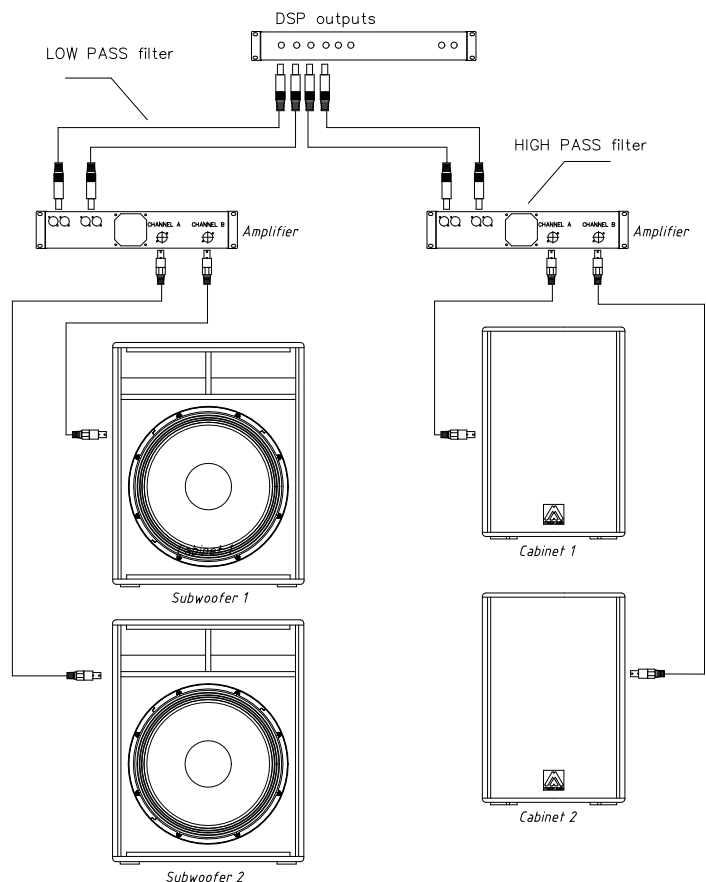


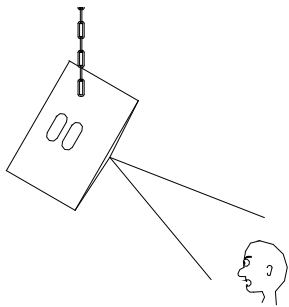
Fig.6. Bi-amplified with subwoofer configuration (option 2)

WARNING!!!!: In order to allow a bridge connection between cabinets, each one of them has been provided with two Speakon connectors that allow the Input / Output function indistinctly. Terminal pins +1/-1 must be always used, disregarding the +2/-2 which are not internally connected.

3. MOUNTING AND PLACEMENT

For a proper installation of the acoustic cabinets, it is strongly recommended to read carefully the following advices.

3.1. Placement



The Full Range cabinets should be located in a high position (between two or three meters), slightly inclined to the audience. If the loudspeakers are located too low, the listeners at the end of the room will not hear a good sound quality.

Fig.7. Flying placement

It is advisable to locate the subwoofer units on the floor as they can take advantage of the so-called “floor-effect”, thus increasing the response in the low frequencies.

If possible, place the subwoofers under the same acoustic axis used for the satellites.

If the above option cannot be carried out, then they should be placed in an intermediate point between the left and right channels.

3.2. Tripod use

The KEY8, KEY10, KEY12 and KEY15 models are equipped with a tripod socket (A) for use with a standard 35mm tripod.

Do not use the tripod on non-flat floors and be careful not to raise the cabinet too high on the tripod, as it may become unstable.

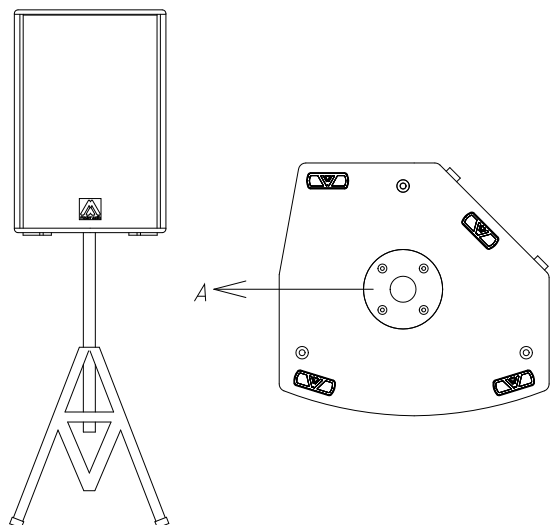
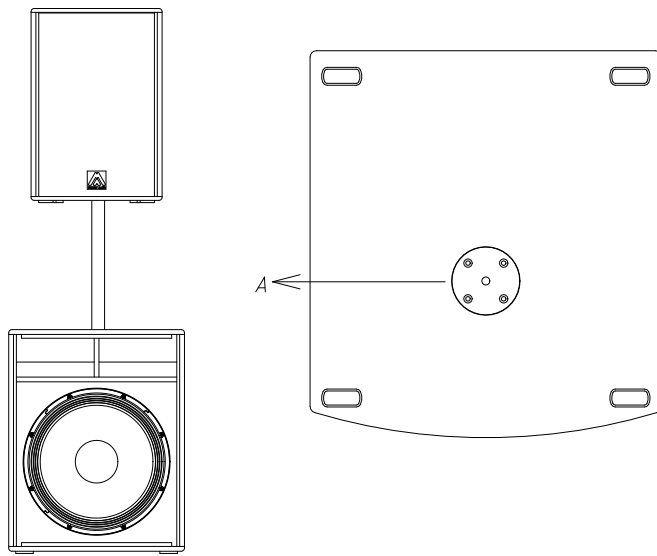


Fig.8. Full range cabinet with tripod

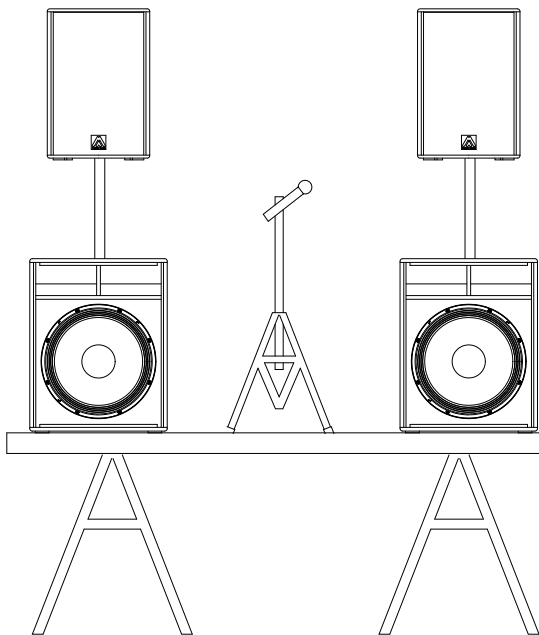
3.3. Full range cabinet with subwoofer



The KEY15W and KEY18W are equipped with a M20 Plate (A) for a 35mm distance rod. You can use it to place over the subwoofer the models that are equipped with the tripod socket (KEY8, KEY10, KEY12 and KEY15). Be careful not to use this system on non-flat surfaces as it may become unstable.

Fig.9. Full range cabinet with subwoofer

3.4. Live applications (mobile)



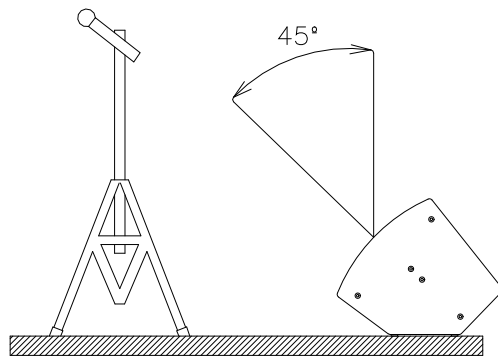
For a mobile application, whether it is an outdoor or indoor installation, the common location is to place the bass units (one or two per channel) on each side of the stage.

Fig.10. Mobile applications

To obtain a clear and free-distortion reproduction, it is advisable to place the mid-high units on top of the low units keeping between them an approximate height of two meters. If such height cannot be achieved nor maintained, it is advisable to use the classical tripod for each mid-high cabinet and leave the low units on the floor.

WARNING!!! For installations that suffer from acoustic problems and in which it is necessary to reinforce the response in the low frequencies, it is advisable to group all the subwoofers together in the same point. By this way, cancellations will be avoided and a higher acoustic pressure level will be obtained.

3.5. Stage monitor use



The KEY10, KEY12 and KEY15 models have trapezoidal shape so, they can be used as floor monitors without extra accessories.

Fig.11. Stage monitor use

3.6. Rotatable logo

KEY8, KEY10, KEY12, KEY15, KEY15W and KEY18W model logos can be rotated.

3.7. Flying

Only experienced people should fly speaker cabinets. Extreme care should be taken to assure the load bearing capabilities of the structures where the cabinets will be placed. Hanging hardware (as chains, eyebolts, lock pins...) should be regularly inspected and replaced if in doubt.

WARNING!!! DO NOT SUSPEND THE CABINETS FROM THE HANDLES!!!!

3.7.1. KEY8, KEY10, KEY12 and KEY15 horizontal flying with “U-BL” bracket

The UB-L is an optional accessory for wall mounting (horizontal orientation). Please, refer to “UB-L user’s manual” to get more information.

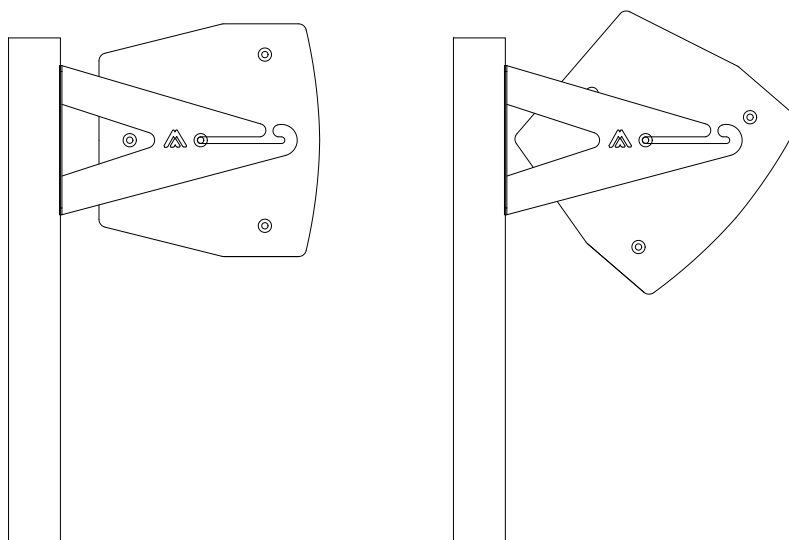


Fig.12. UB-L wall-stand

3.7.2. KEY8, KEY10, KEY12 and KEY15 flying with ACR-M8 eyebolts

These models provide several M8 flying points. Their correct use will permit the flying in horizontal or vertical position.

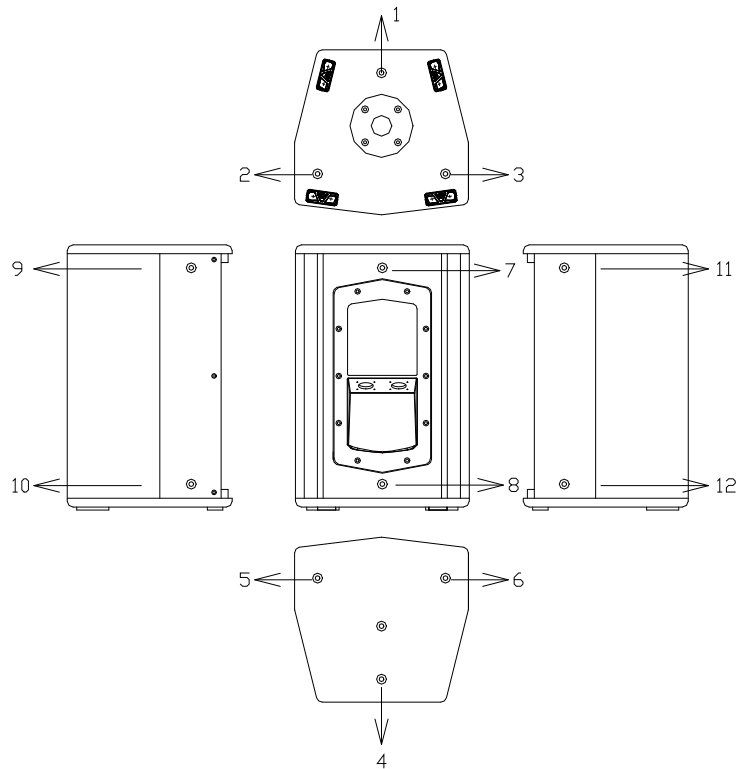


Fig.13. KEY8 rigging points

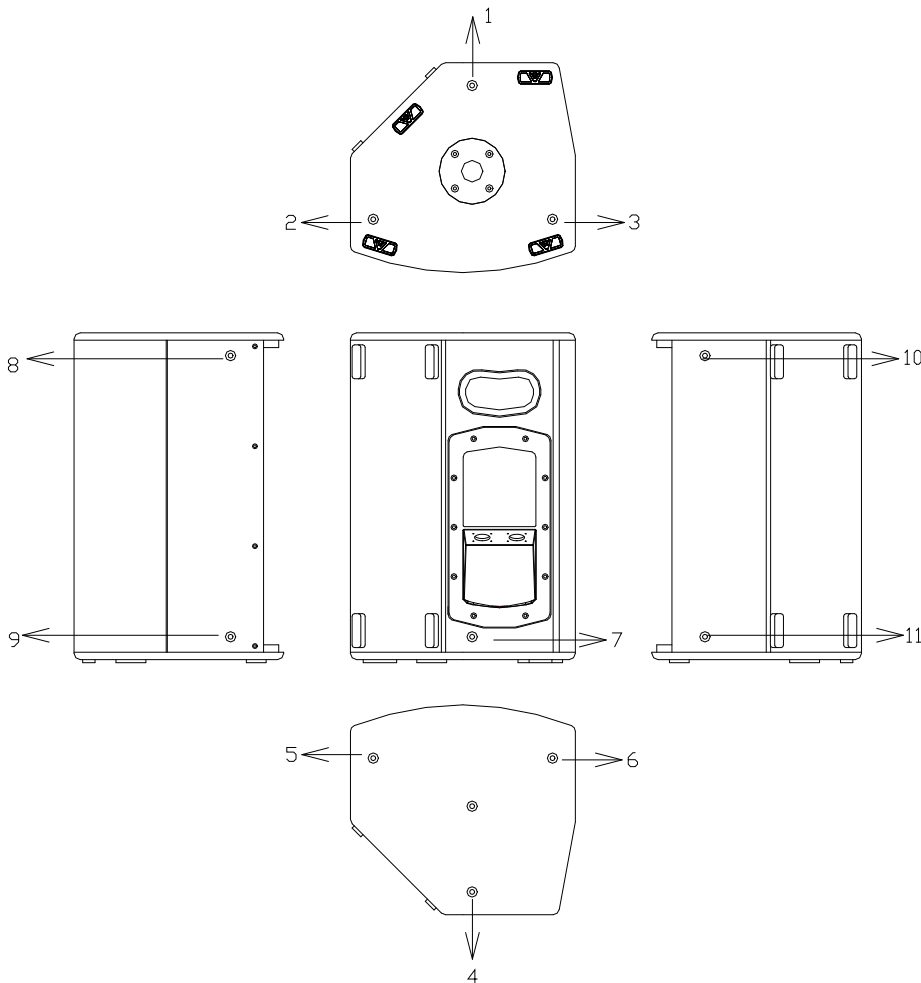


Fig.14. KEY10 rigging points

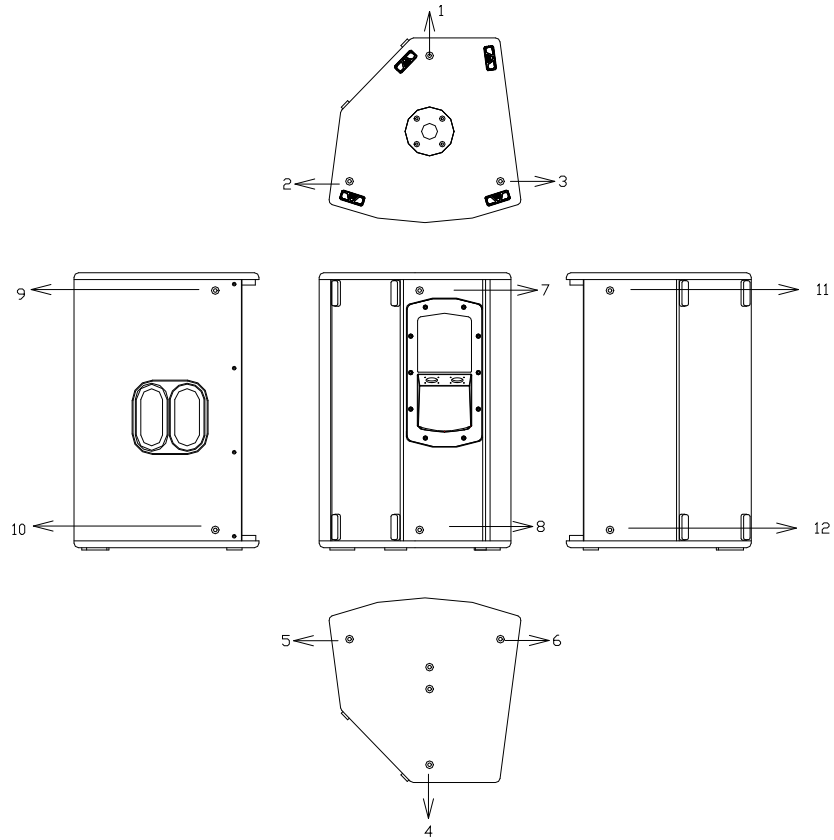


Fig.15. KEY12 rigging points

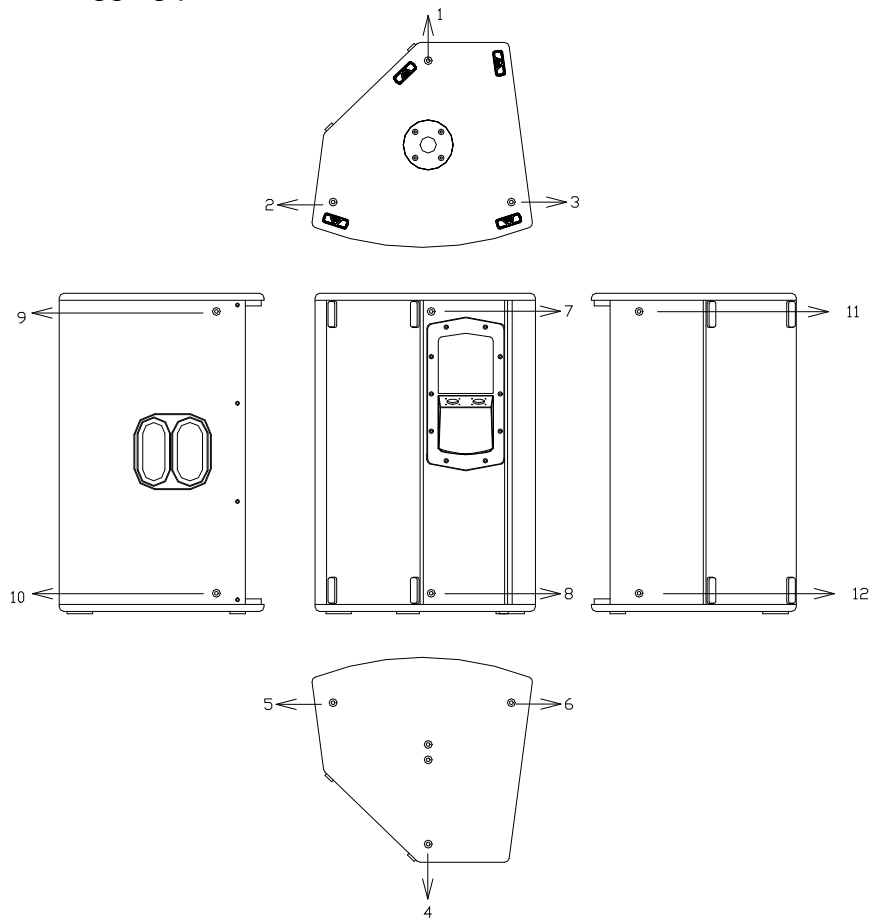


Fig.16. KEY15 rigging points

	KEY8	KEY12	KEY15
Horizontal flying	2&5 or 3&6 or 9&10 or 11&12 (front rigging points) 1&4 or 7&8 (back tilt points)		
Vertical Flying	2&3 or 5&6 or 9&11 or 10&12 (front rigging points) 1 or 4 or 7 or 8 (back tilt points)		

	KEY10
Horizontal flying	2&5 or 3&6 or 8&9 or 10&11 (front rigging points) 1&4 (back tilt points)
Vertical Flying	2&3 or 5&6 or 8&10 or 9&11 (front rigging points) 1 or 4 or 7 (back tilt points)

We offer as optional accessory the ACR M8 eyebolt.

3.7.3. KEY8, KEY10, KEY12 and KEY15 flying with SP35 wall stand

These models may be wall mounted by the SP35 wall stand accessory.

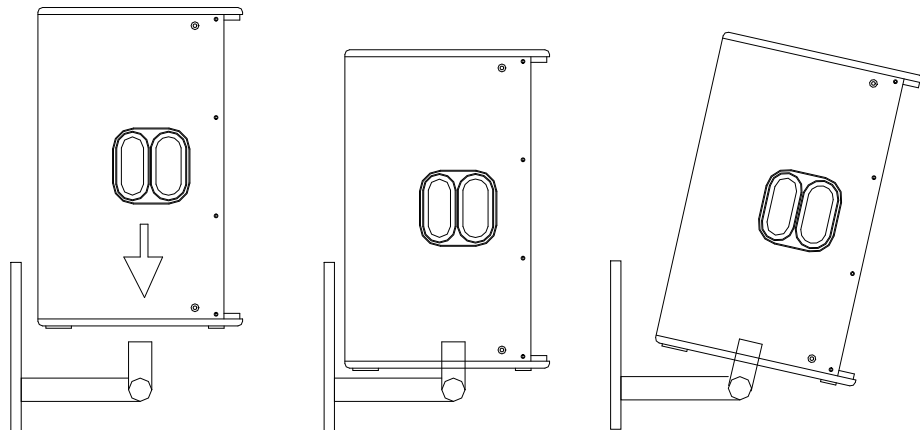


Fig.17. SP35 wall stand

Mounting:

- 1- Hold the wall stand against the mounting surface, so you can mark the locations of the mounting holes
- 2- Drill corresponding pilot holes on the wall and attach the bracket with screws
- 3- Set the cabinet on the 35mm pole
- 4- Adjust the cabinet for desired angle

3.7.4. KEY8, KEY10, KEY12 and KEY15 vertical flying with “HR” bar

Use HR-C or HR-C/GT flying bar for KEY8
 Use HR-S or HR-S/GT flying bar for KEY10
 Use HR-L or HR-L/GT flying bar for KEY12
 Use HR-L or HR-L/GT flying bar for KEY15

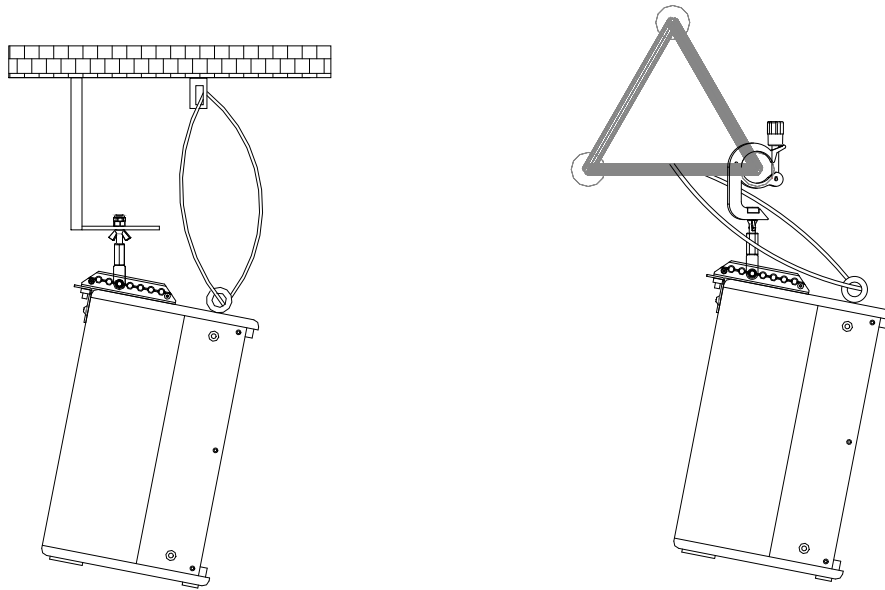


Fig.18. “HR” flying bar for KEY cabinets

For more information refer to “HR-XX” user’s manual.

3.7.5. KEY15W and KEY18W flying

These models are not prepared for flying.

3.8. KEY grille

To remove the front grille, first remove the screws on the left side.

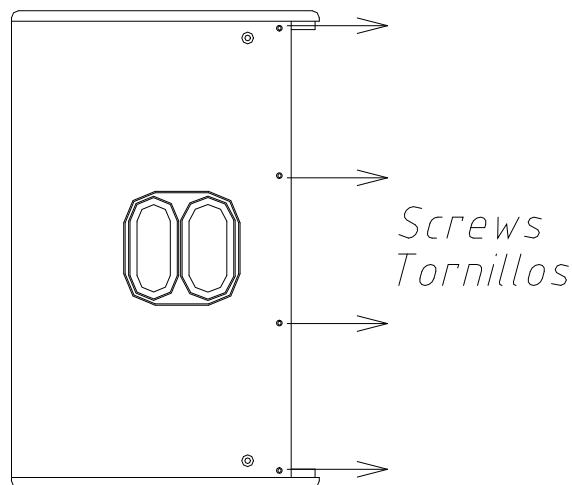


Fig.19. Grille screws

4. TECHNICAL FEATURES

	KEY8	KEY10
Impedance	16Ω	8Ω
Sensitivity (1W/1m)	93 dB	95 dB
Frequency response (-10dB)	62Hz-20kHz	55Hz-18kHz
Program power	240W	300W
Directivity	90° x 90°	70° x 40°
Components		
LF	1 x 8" woofer	1 x 10" woofer
HF	1 x 1" neodymium tweeter, titanium diaphragm	1 x 1" kevlar diaphragm driver
Cabinet		
Type	Bass-reflex	
Height	450 mm	535 mm
Width	295 mm	365 mm
Depth	280 mm	341 mm
Weight (net)	9,5 Kg	13,5 Kg
Connectors	2 x Speakon (In/Link)	
Material	Multilayer plywood, steel front grille with acoustic foam	
Finish	Ecological water-base matt paint	

	KEY12	KEY15
Impedance	8Ω	
Sensitivity (1W/1m)	97 dB	98 dB
Frequency response (-10dB)	50Hz-18kHz	48Hz-18kHz
Program power	400W	500W
Directivity	70° x 40°	70° x 40°
Components		
LF	1 x 12" woofer	1 x 15" woofer
HF	1 x 1" kevlar diaphragm driver	
Cabinet		
Type	Bass-reflex	
Height	608 mm	688 mm
Width	420 mm	474 mm
Depth	405 mm	440 mm
Weight (net)	18,7 Kg	21,9 Kg
Connectors	2 x Speakon (In/Link)	
Material	Multilayer plywood, steel front grille with acoustic foam	
Finish	Ecological water-base matt paint	

	KEY15W	KEY18W
Impedance	8Ω	
Sensitivity (1W/1m)	95 dB	97 dB
Frequency response (-10dB)	38Hz-180Hz (with external DSP)	34Hz-150Hz (with external DSP)
Program power	600W	1000W
Directivity	omnidirectional	omnidirectional
Components		
LF	1 x 15" woofer (3" v.c.)	1 x 18" woofer (4" v.c)
Cabinet		
Type	Bass-reflex	
Height	600 mm	700 mm
Width	490 mm	550 mm
Depth	520 mm	605 mm
Weight (net)	27,1 Kg	39,9 Kg
Connectors	2 x Speakon (In/Link)	
Material	Multilayer plywood, steel front grille with acoustic foam	
Finish	Ecological water-base matt paint	

5. POWER LOSSES (%) AND DAMPING FACTOR, RELATED TO WIRE LENGTH AND SECTION

Wire length (m)	Section (mm ²)	Resistance (Ohms)	Power losses			Damping losses(*)	
			8Ohms	4Ohms	2Ohms	8 Ohms	4 Ohms
1	0.75	0.042	0.53%	1.05%	2.10%	98	49
	1.50	0.025	0.31%	0.63%	1.25%	123	62
	2.50	0.013	0.16%	0.33%	0.65%	151	75
	4.00	0.008	0.10%	0.20%	0.40%	167	83
5	0.75	0.210	2.63%	5.25%	10.5%	32	16
	1.50	0.125	1.56%	3.13%	6.25%	48	24
	2.50	0.065	0.81%	1.63%	3.25%	76	38
	4.00	0.040	0.50%	1.00%	2.00%	100	50
10	0.75	0.420	5.25%	10.50%	21.00%	17	9
	1.75	0.250	3.13%	6.25%	12.50%	28	14
	2.50	0.130	1.63%	3.25%	6.50%	47	24
	4.00	0.080	1.00%	2.00%	4.00%	67	33
20	0.75	0.840	10.50%	21.00%	42.00%	9	5
	1.50	0.500	6.25%	12.50%	25.00%	15	7
	2.50	0.260	3.25%	6.50%	13.00%	27	13
	4.00	0.160	2.00%	4.00%	8.00%	40	20
50	0.75	2.100	26.25%	52.50%	---	4	2
	1.50	1.250	15.63%	31.25%	62.50%	6	3
	2.50	0.650	8.13%	16.25%	32.50%	12	6
	4.00	0.400	5.00%	10.00%	20.00%	18	9

(*) Referred to an amplifier with a Damping Factor of 200:1. **Wire sections under 2.50 mm² are completely inadvisable.**

For fixed installations with a 4-Ohm load, it is better to have one wire for each speaker system. It is not advisable to bridge one cabinet to another.

ESPAÑOL

1. INTRODUCCIÓN

1.1. Generalidades

Amate Audio le agradece la confianza depositada en nuestros productos de la Serie KEY. Le sugerimos lea atentamente las indicaciones que a continuación exponemos, confiando en que le serán de gran utilidad para obtener sus mejores resultados.

1.2. Características y presentación

KEY8

- Sistema de 2 vías Full Range
- Altavoz de 8" con cono de kevlar y bobina de 1,5"
- Tweeter exponencial de 1" de neodimio, con diafragma de titanio
- Filtro divisor pasivo diseñado con precisión para obtener los mejores resultados
- 240W de programa musical
- Sensibilidad de 93 dB (1W/1m)

KEY10

- Sistema de 2 vías Full Range
- Altavoz de 10" con bobina de 2"
- Motor de agudos de 1" con diafragma de kevlar
- Difusor de dispersión 70° (H) x 40° (V)
- Filtro divisor pasivo diseñado con precisión para obtener los mejores resultados
- 300W de programa musical
- Sensibilidad de 95 dB (1W/1m)

KEY12

- Sistema de 2 vías Full Range
- Altavoz de 12" con bobina de 2"
- Motor de agudos de 1" con diafragma de kevlar
- Difusor de dispersión 70° (H) x 40° (V)
- Filtro divisor pasivo diseñado con precisión para obtener los mejores resultados
- 400W de programa musical
- Sensibilidad de 97 dB (1W/1m)

KEY15

- Sistema de 2 vías Full Range
- Altavoz de 15" con bobina de 2,5"
- Motor de agudos de 1" con diafragma de kevlar
- Difusor de dispersión 70° (H) x 40° (V)
- Filtro divisor pasivo diseñado con precisión para obtener los mejores resultados
- 500W de programa musical
- Sensibilidad de 98 dB (1W/1m)

KEY15W

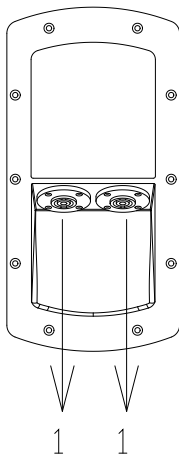
- Refuerzo de bajas frecuencias
- Altavoz de 15" con bobina de 3"
- 600W de programa musical
- Sensibilidad de 95 dB (1W/1m)
- Fácil utilización en pasivo-paralelo / bi-amplificado con KEY8/KEY10/KEY12

KEY18W

- Refuerzo de bajas frecuencias
- Altavoz de 18" con bobina de 4"
- 1000W de programa musical
- Sensibilidad de 97 dB (1W/1m)
- Fácil utilización en pasivo-paralelo / bi-amplificado con KEY8/KEY10/KEY12/KEY15

2. CONEXIONES

2.1. Descripción conexionado



(1)-SPEAKON: Todos los modelos incorporan dos terminales Speakon NL4 y están preparados para su perfecta conexión en un sistema en paralelo. La señal de entrada/salida es mediante los pins +1/-1. Los pins +2/-2 no están conectados internamente.

ATENCIÓN: Utilice en lo posible cable-manguera de dos conductores, sin apantallar, bicolor y de buena calidad. Se recomienda el uso de una sección de 4mm² como mínimo para cada conductor. Evítense largas distancias de cableado ya que provocan importantes pérdidas de potencia y calidad.

Fig.1. Conexiones para serie KEY pasiva

2.2. Configuraciones

2.2.1. Configuración Full Range Estéreo

Conectar cada salida del amplificador LEFT/RIGHT a cada unidad, mediante dos mangueras, independientemente.

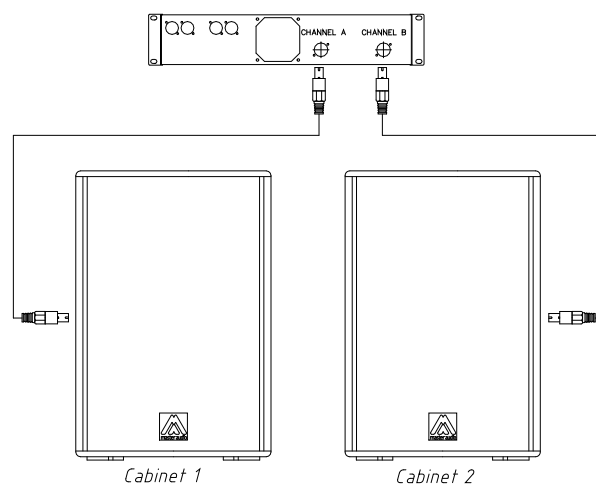
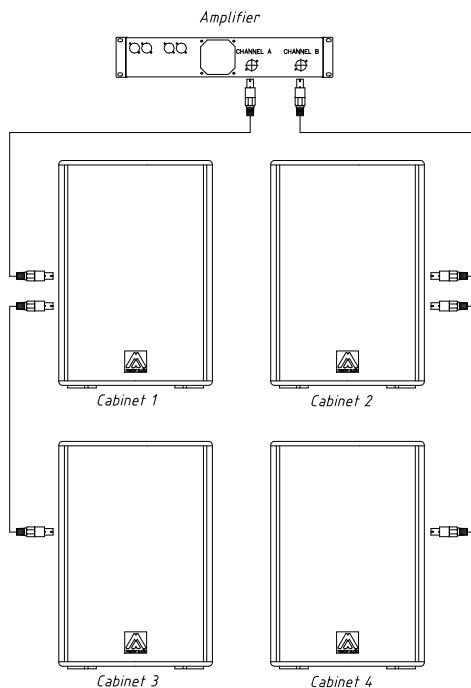


Fig.2. Configuración Full range estéreo

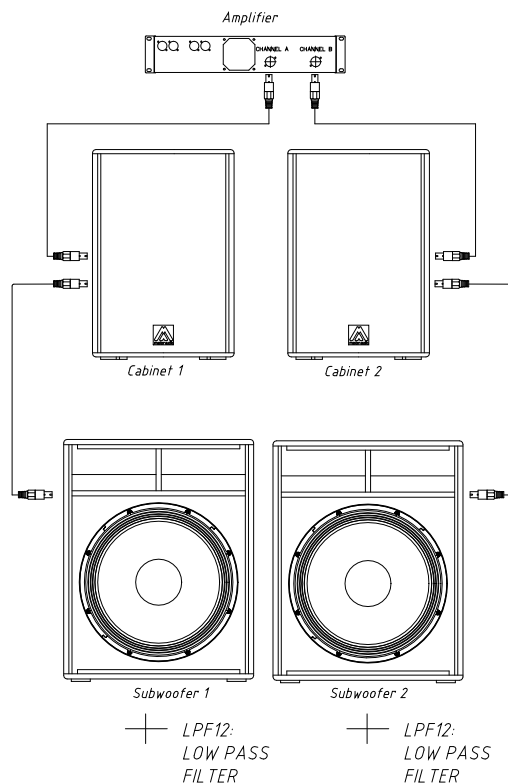
2.2.2. Configuración Full Range en Paralelo



Conectar una primera caja desde la salida del amplificador a su entrada de Speakon, respetando siempre la polaridad positivo +1, negativo -1. A continuación, realizar un puente mediante manguera, desde esta primera caja a la segunda. Con esta configuración podrá conectar, por ejemplo, cuatro cajas a un mismo amplificador.

Fig.3. Configuración Full range en paralelo

2.2.3. Configuración en Pasivo con Subwoofer



Muchas veces le interesará reforzar sus sistemas KEY full range mediante unidades subwoofer de la misma serie, tanto en activo como en pasivo.

En el caso pasivo, se dispondrá de un sólo amplificador para todo el sistema. De una de las salidas del amplificador conectar, mediante cable manguera, la unidad de graves.

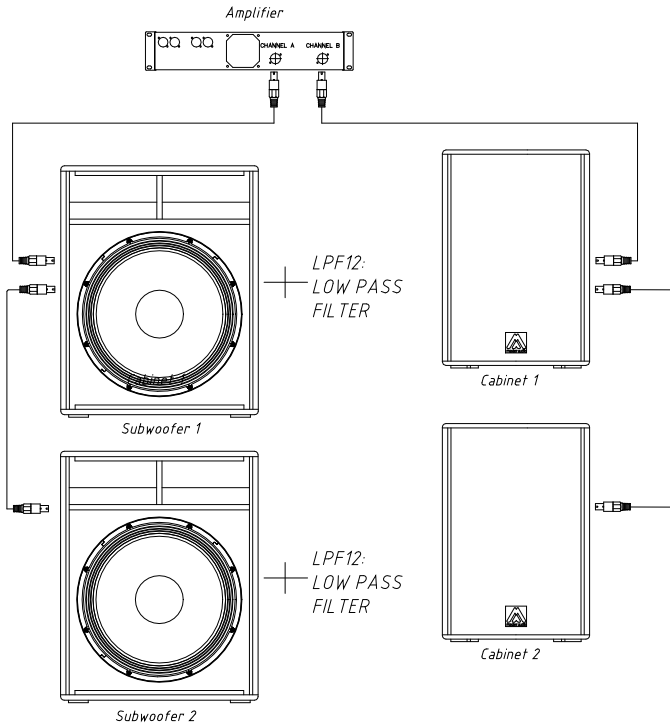
Posteriormente, efectuar un puente desde el conector Speakon esclavo del subwoofer a su respectiva unidad satélite de medios-agudos, respetando siempre la correcta polaridad entre ambos sistemas. Proceder de igual manera para el otro canal. También es correcto, si la instalación lo requiere, efectuar la conexión a la inversa, es decir, del amplificador al satélite y luego al subwoofer.

Fig.4. Configuración en pasivo con subwoofer

Recuerde que en esta configuración será necesario colocar un filtro paso-bajo en las unidades subwoofer. Consulte el accesorio "LPF12".

2.2.4. Configuración Bi-Amplificada con Subwoofer

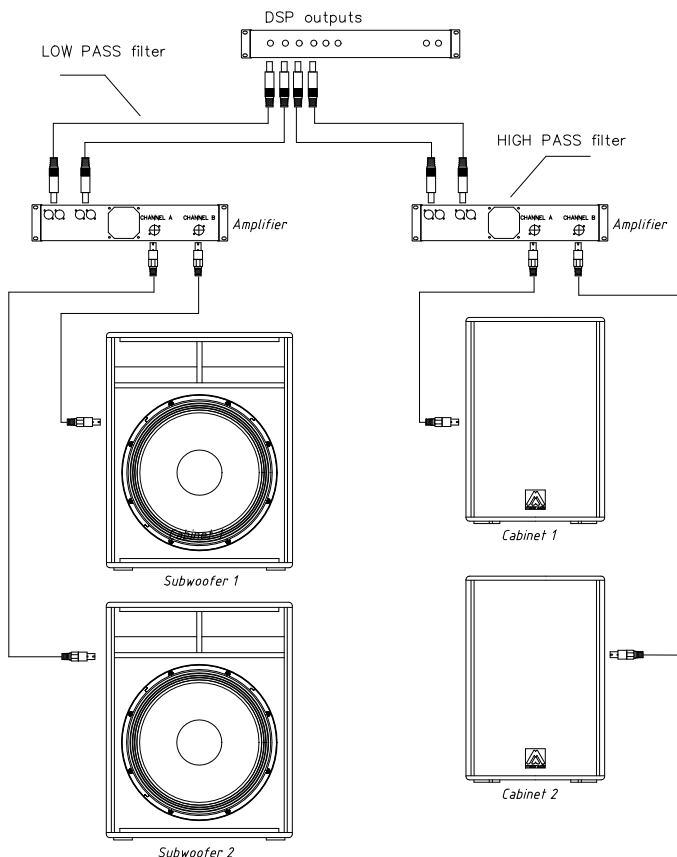
Del canal de salida de la etapa de potencia destinada a graves saldremos con una manguera de la mayor sección posible (4mm² mínimo) hacia uno de los subwoofers. Si se dispone de pareja de subwoofers, realizaremos una conexión en puente entre ambos, respetando siempre la polaridad.



Conectar la otra salida del amplificador independientemente a la caja de medios-agudos. Si se dispone de pareja de cajas, realizaremos una conexión en puente entre ambas, respetando siempre la polaridad.

Recuerde que en esta configuración será necesario colocar un filtro paso-bajo en las unidades subwoofer. Consulte el accesorio "LPF12".

Fig.5. Configuración bi-amplificada con subwoofer (opción 1)



También es posible destinar un sólo amplificador para los refuerzos de graves, conectando cada uno de los subwoofers a las dos salidas de la etapa y en consecuencia, alimentar el sistema de medios-agudos mediante un segundo amplificador.

Recuerde que en esta configuración será necesario insertar en el procesador (DSP) un filtro paso-bajo en las unidades subwoofer y un filtro paso-alto en las unidades de medios-agudos.

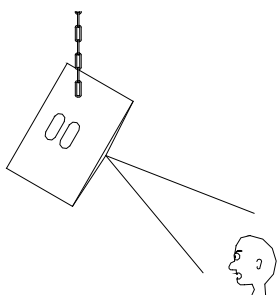
Fig.6. Configuración bi-amplificada con subwoofer (opción 2)

¡ATENCIÓN!!!!: Para efectuar un puente entre cajas, cada una de ellas dispone de dos conectores idénticos Speakon que hacen la función de Entrada / Salida indistintamente. Siempre deben utilizarse los terminales pin +1/-1, despreciando los terminales +2/-2 que no están conectados internamente.

3. MONTAJE E INSTALACIÓN

Para la adecuada instalación de los sistemas de cajas acústicas se recomienda lea atentamente los siguientes consejos.

3.1. Posicionamiento



Siempre que sea posible coloque las unidades Full Range en posición elevada (entre dos y tres metros del suelo), ligeramente inclinadas hacia la audiencia. Si las cajas se colocan a una altura cercana al suelo los oyentes de las últimas filas recibirán un sonido de baja calidad.

Fig.7. Posicionamiento en formato volado

Para posicionar las unidades de graves, es recomendable que éstas estén colocadas en el suelo ya que así se aprovecha, de forma natural, el llamado "efecto-suelo" incrementando notoriamente la respuesta en bajas frecuencias.

Le aconsejamos coloque siempre que sea posible las unidades de graves bajo el mismo eje acústico de los satélites. Si esto no es posible deberían situarse en un punto intermedio entre los canales Izquierdo y Derecho.

3.2. Uso con trípode

Los modelos KEY8, KEY10, KEY12 y KEY15 incorporan en su parte inferior un vaso para trípode estándar de 35mm.

No utilice el trípode en superficies con pendiente, ni coloque la caja demasiado alta, pues el sistema puede ser totalmente inestable.

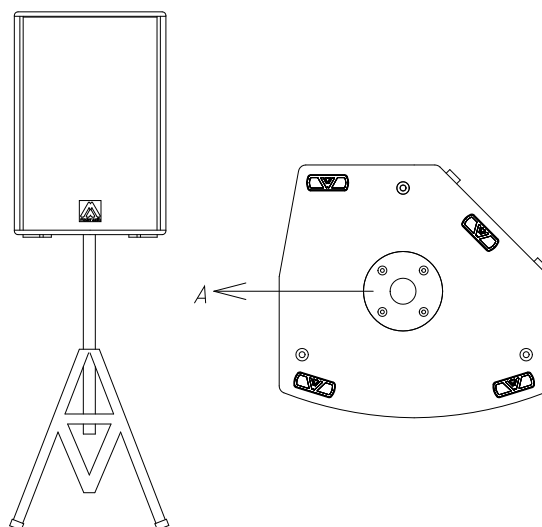
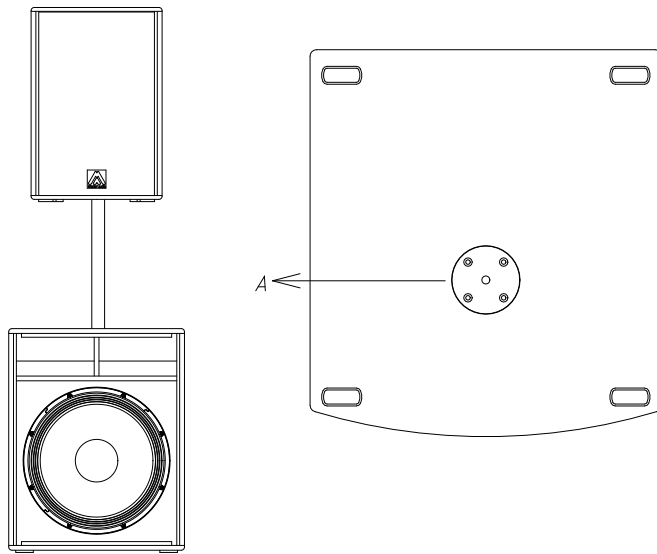


Fig.8. Posicionamiento con trípode

3.3. Utilización sobre subwoofer



Los modelos KEY15W y KEY18W incorporan integrado en su parte superior una pletina para cilindro de 35mm (diámetro de un trípode estándar). Así podemos colocar de forma elevada sistemas acústicos que vayan provistos del vaso inferior para trípode (KEY8, KEY10, KEY12, KEY15). Evite colocar sistemas montados de esta forma en superficies inclinadas o irregulares.

Fig.9. Posicionamiento sobre subwoofer

3.4. Uso en aplicaciones de directo (móvil)

Para una aplicación móvil, para directo o discoteca, la ubicación clásica sería la de situar las unidades de graves (una ó dos por canal) a cada lado del escenario (sobre éste).

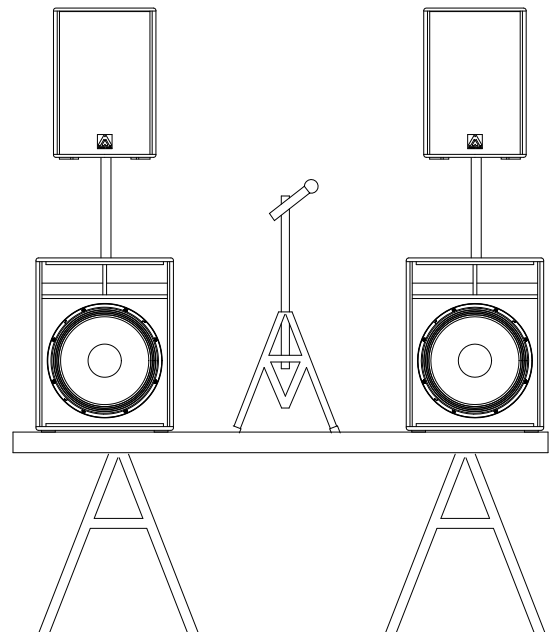


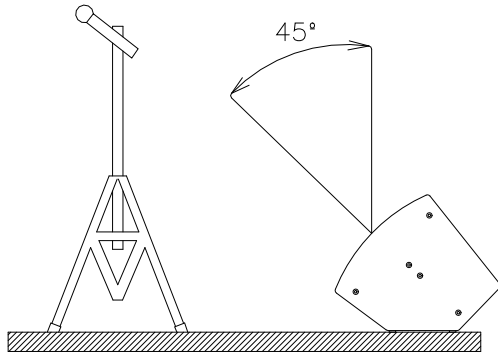
Fig.10. Aplicaciones de directo

Para conseguir una reproducción libre de obstáculos, se recomienda coloque las unidades de medios-agudos por encima de las unidades de graves, a unos dos metros de altura.

Si no se dispone de esta altura, es conveniente utilizar el clásico trípode para cada caja y dejar las cajas de graves en el suelo.

¡ATENCIÓN!!! En recintos con problemas de acústica y en los que es necesario reforzar la respuesta en bajas frecuencias es recomendable agrupar todos los subwoofers en un mismo punto. De esta manera evitaremos cancelaciones y obtendremos un nivel de presión acústica mucho más elevado.

3.5. Uso como monitor



La forma trapezoidal-cuña de los modelos KEY10, KEY12 y KEY15 permite su utilización como monitor de escenario sin la necesidad de incorporar ningún accesorio extra

Fig.11. Posicionamiento en formato monitor

3.6. Giro del logotipo “Master Audio”

Los logotipos “Master Audio” de los modelos KEY8, KEY10, KEY12, KEY15, KEY15W y KEY18W pueden girarse para adaptarse a la posición de la caja (horizontal o vertical).

3.7. Volado

Sólo personal especializado debe realizar el volado de sistemas acústicos. Asegúrese del peso que es capaz de soportar la estructura sobre la cual se va a colgar la caja. El hardware de volado (cadenas, pasadores, anillas...) debe ser revisado regularmente y, en caso de cualquier duda, debe ser reemplazado por material nuevo.

¡ATENCIÓN! ¡NO COLGAR NUNCA LAS CAJAS POR EL ASA!!!!

3.7.1. Volado horizontal KEY8, KEY10, KEY12, KEY15 mediante accesorio “U-BL” bracket

El UB-L es un accesorio opcional para el colgado en pared (horizontal). Para más información lea detenidamente el “Manual de usuario UB-L”.

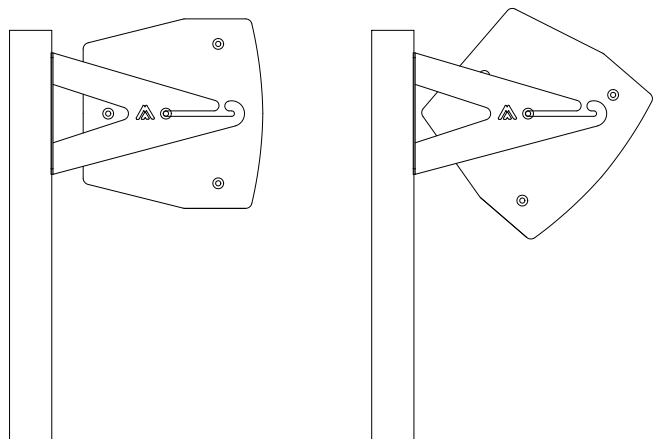


Fig.12. Soporte UB-L

3.7.2. Volado horizontal o vertical de la KEY8, KEY10, KEY12, KEY15 mediante anillas ACR-M8

Estos modelos incorporan varios puntos de suspensión M8. Su correcta combinación permite el volado de las cajas tanto en posición horizontal como en vertical.

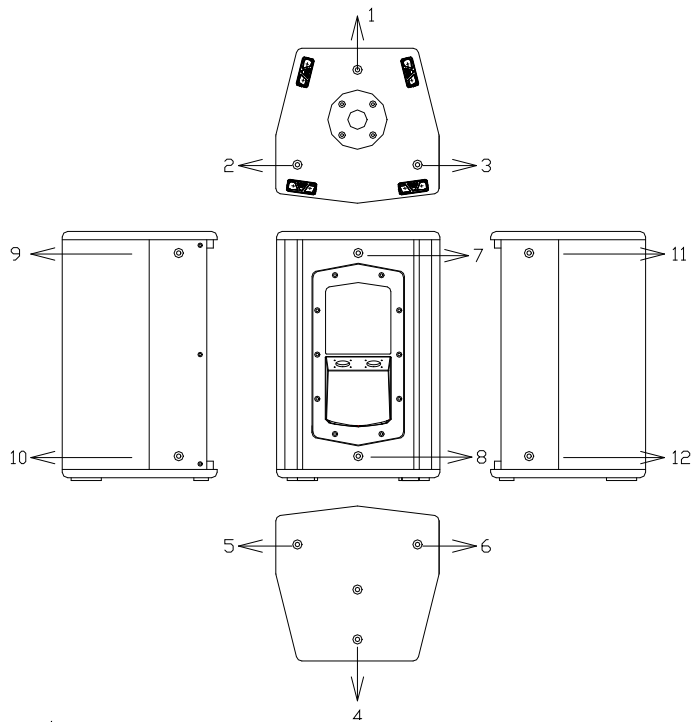


Fig.13. Puntos rigging KEY8

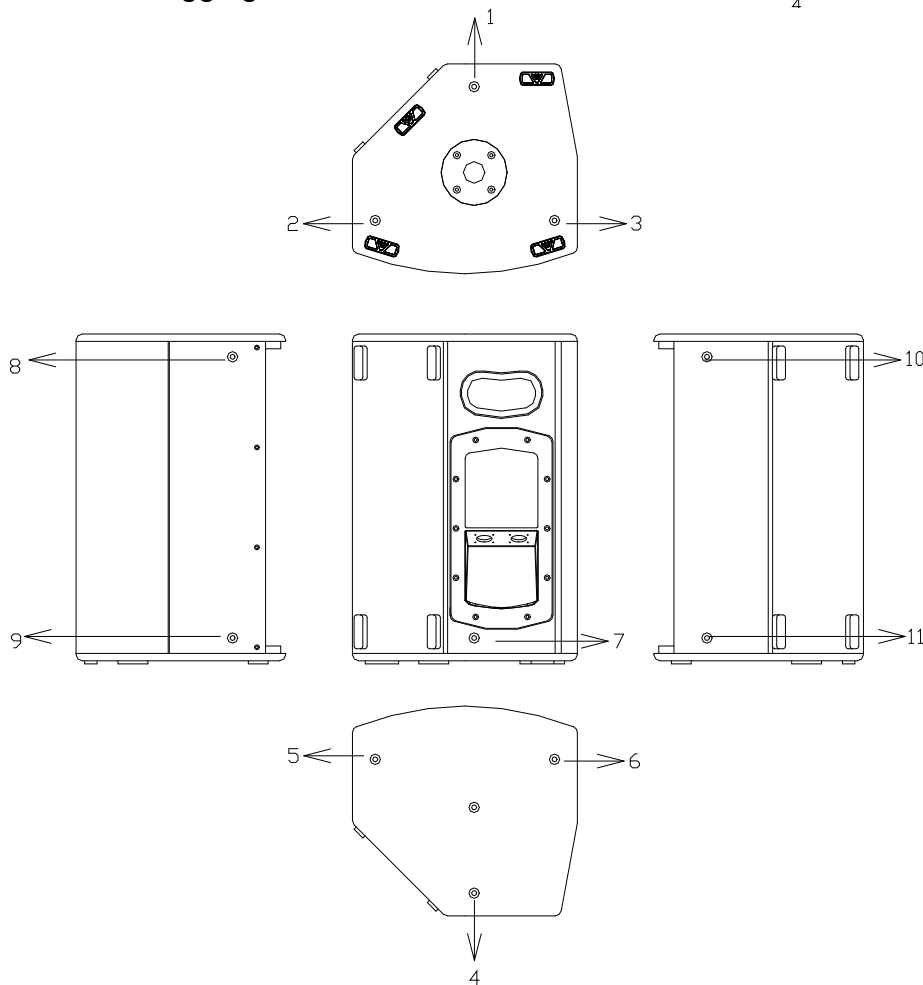


Fig.14. Puntos rigging KEY10

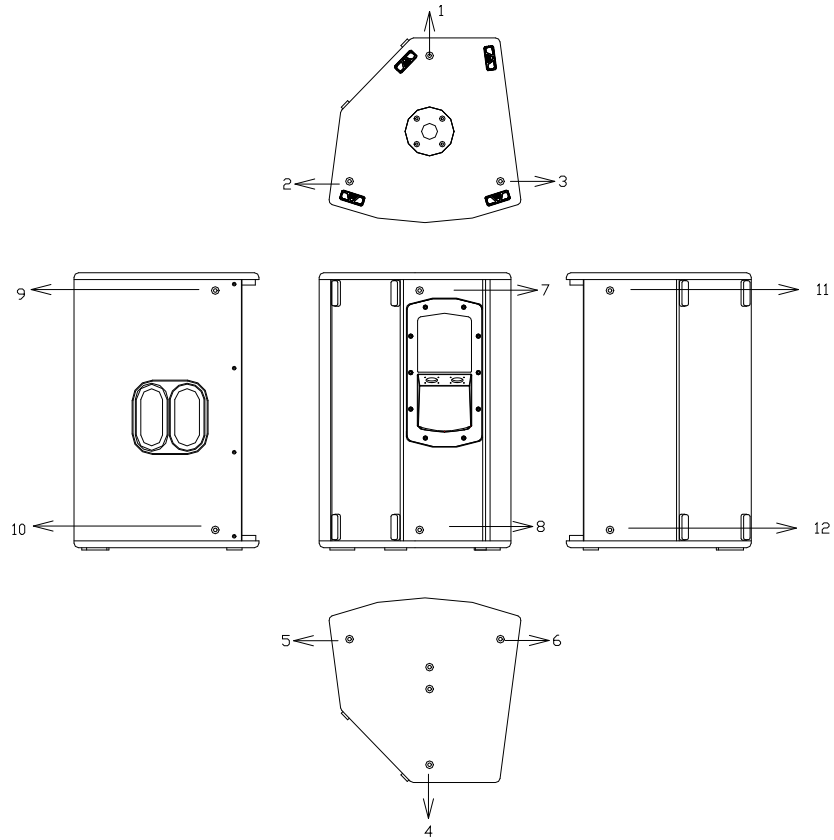


Fig.15. Puntos rigging KEY12

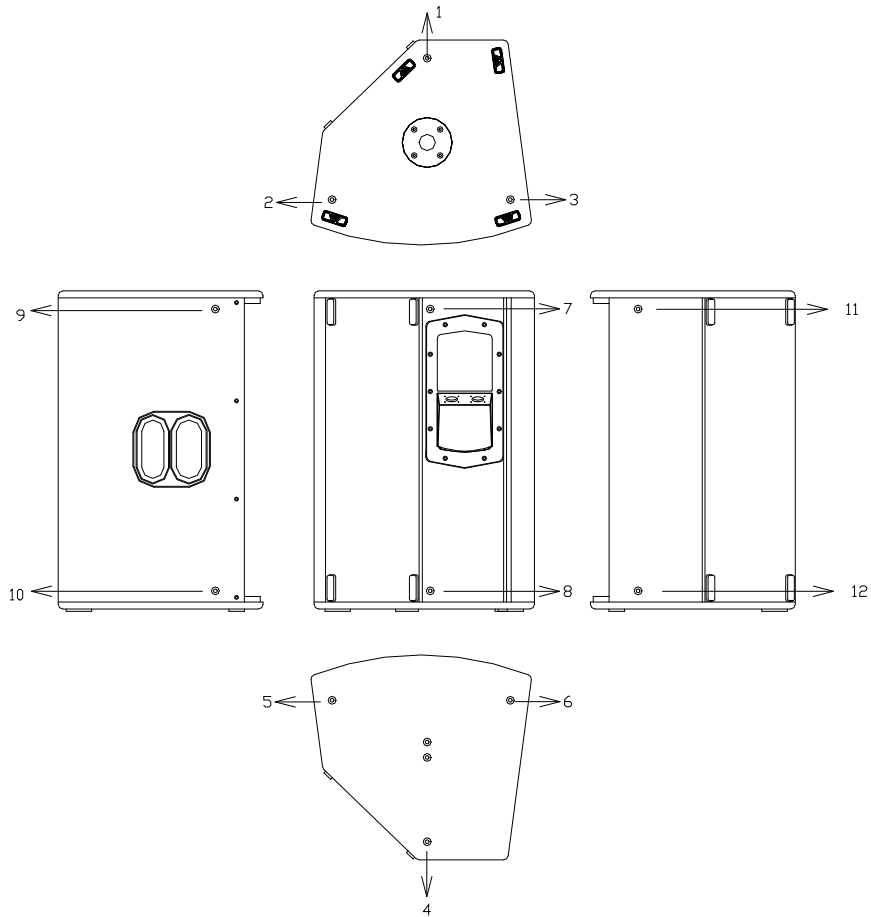


Fig.16. Puntos rigging KEY15

	KEY8	KEY12	KEY15
Volado horizontal	2&5 o 3&6 o 9&10 o 11&12 (puntos volado frontales) 1&4 o 7&8 (puntos traseros para angular)		
Volado vertical	2&3 o 5&6 o 9&11 o 10&12 (puntos volado frontales) 1 o 4 o 7 o 8 (puntos traseros para angular)		

	KEY10
Volado horizontal	2&5 o 3&6 o 8&9 o 10&11 (puntos volado frontales) 1&4 (puntos traseros para angular)
Volado vertical	2&3 o 5&6 o 8&10 o 9&11 (puntos volado frontales) 1 o 4 o 7 (puntos traseros para angular)

Como accesorio opcional de volado se suministran anillas rigging de M8 (ACR M8).

3.7.3. Volado vertical de la KEY8, KEY10, KEY12, KEY15 mediante soporte de pared SP35

Estos modelos pueden colgarse verticalmente en pared mediante el accesorio SP35. El SP35 es un soporte articulado con vaso de 35mm de diámetro.

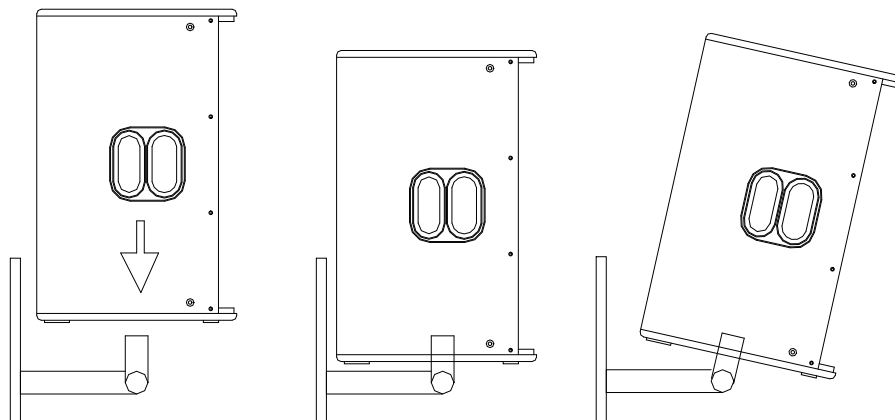


Fig.17. Soporte SP35

Colgado:

- 1- Sitúe el soporte cerca de la pared donde vaya a colgar la caja y marque la localización de los puntos de soporte
- 2- Realice los taladros en la pared y cuelgue el soporte con tornillería adecuada y de alta resistencia.
- 3- Coloque la caja en el vaso articulado y gradúe el ángulo deseado.

3.7.4. Volado vertical de la KEY8, KEY10, KEY12 y KEY15 mediante barra "HR"

Use la barra HR-C o HR-C/GT para la KEY8
 Use la barra HR-S o HR-S/GT para la KEY10
 Use la barra HR-L o HR-L/GT para la KEY12
 Use la barra HR-L o HR-L/GT para la KEY15

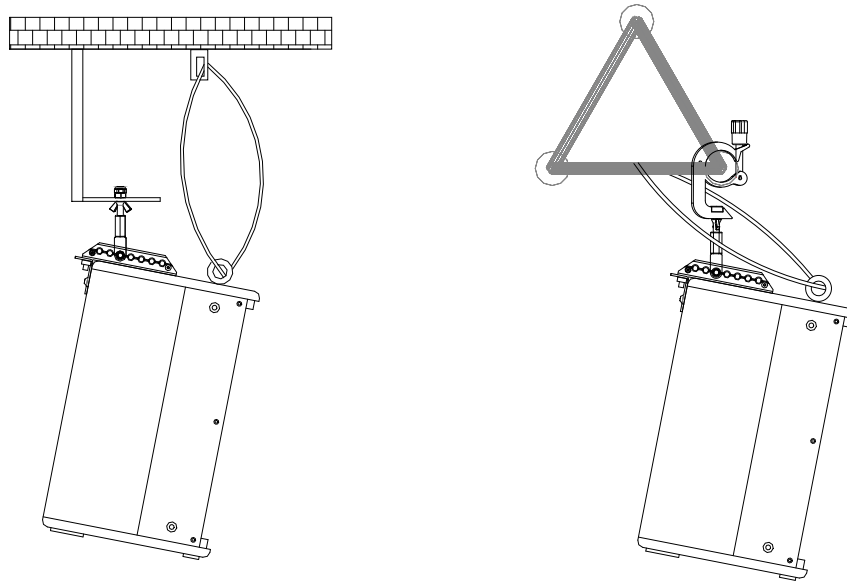


Fig.18. Barra de volado “HR” para cajas KEY

3.7.5. Volado KEY15W y KEY18W

Estos modelos no ha sido diseñados para ser volados.

3.8. Montaje y desmontaje de la reja frontal

Para desmontar la reja frontal, quite primero los tornillos del lateral izquierdo. La reja saldrá más fácilmente con la ayuda de un destornillador de punta plana, haciendo palanca en unos de los costados.

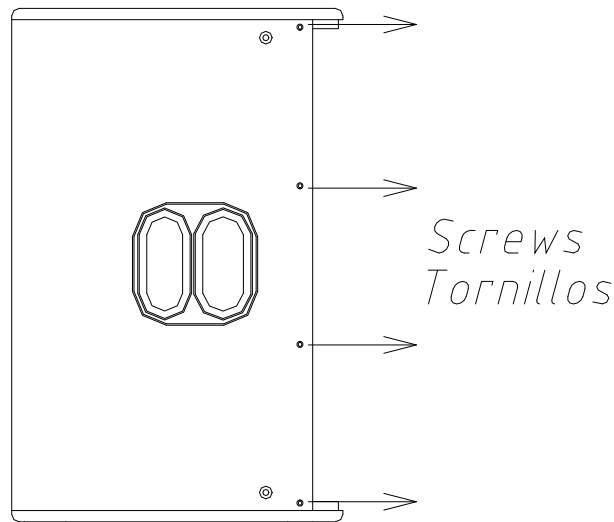


Fig.19. Puntos collage reja

4. ESPECIFICACIONES TÉCNICAS

	KEY8	KEY10
Impedancia	16Ω	8Ω
Sensibilidad (1W/1m)	93 dB	95 dB
Respuesta frecuencia (-10dB)	62Hz-20kHz	55Hz-18kHz
Potencia programa	240W	300W
Directividad	90° x 90°	70° x 40°
Componentes		
LF	1 x 8" woofer	1 x 10" woofer
HF	1 x 1" tweeter neodimio, diafragma titanio	1 x 1" diafragma kevlar
Recinto		
Tipo	Bass-reflex	
Altura	450 mm	535 mm
Anchura	295 mm	365 mm
Profundidad	280 mm	341 mm
Peso (neto)	9,5 Kg	13,5 Kg
Conectores	2 x Speakon (In/Link)	
Material	Tablero multicapa, reja frontal acero con espuma	
Acabado	Pintura a base de agua negra mate	

	KEY12	KEY15
Impedancia	8Ω	
Sensibilidad (1W/1m)	97 dB	98 dB
Respuesta frecuencia (-10dB)	50Hz-18kHz	48Hz-18kHz
Potencia programa	400W	500W
Directividad	70° x 40°	70° x 40°
Componentes		
LF	1 x 12" woofer	1 x 15" woofer
HF	1 x 1" diafragma Kevlar driver	
Recinto		
Tipo	Bass-reflex	
Altura	608 mm	688 mm
Anchura	420 mm	474 mm
Profundidad	405 mm	440 mm
Peso (neto)	18,7 Kg	21,9 Kg
Conectores	2 x Speakon (In/Link)	
Material	Tablero multicapa, reja frontal acero con espuma	
Acabado	Pintura a base de agua negra mate	

	KEY15W	KEY18W
Impedancia	8Ω	
Sensibilidad (1W/1m)	95 dB	97 dB
Respuesta frecuencia (-10dB)	38Hz-180Hz (con DSP externo)	34Hz-150Hz (con DSP externo)
Potencia programa	600W	1000W
Directividad	omnidireccional	omnidireccional
Componentes		
LF	1 x 15" woofer	1 x 18" woofer
Recinto		
Tipo	Bass-reflex	
Altura	600 mm	700 mm
Anchura	490mm	550 mm
Profundidad	520 mm	605 mm
Peso (neto)	27,1 Kg	39,9 Kg
Conectores	2 x Speakon (In/Link)	
Material	Tablero multicapa, reja frontal acero con espuma	
Acabado	Pintura a base de agua negra mate	

5. PÉRDIDA DE POTENCIA (EN %) Y FACTOR DE DAMPING, RELATIVA A LA LONGITUD DEL CABLE Y SU SECCIÓN

Largo cable (m)	Sección (mm ²)	Resistencia (Ohms)	Pérdida de Potencia			Pérdida Damping(*)	
			8Ohms	4Ohms	2Ohms	8Ohms	4 Ohms
1	0.75	0.042	0.53%	1.05%	2.10%	98	49
	1.50	0.025	0.31%	0.63%	1.25%	123	62
	2.50	0.013	0.16%	0.33%	0.65%	151	75
	4.00	0.008	0.10%	0.20%	0.40%	167	83
5	0.75	0.210	2.63%	5.25%	10.5%	32	16
	1.50	0.125	1.56%	3.13%	6.25%	48	24
	2.50	0.065	0.81%	1.63%	3.25%	76	38
	4.00	0.040	0.50%	1.00%	2.00%	100	50
10	0.75	0.420	5.25%	10.50%	21.00%	17	9
	1.75	0.250	3.13%	6.25%	12.50%	28	14
	2.50	0.130	1.63%	3.25%	6.50%	47	24
	4.00	0.080	1.00%	2.00%	4.00%	67	33
20	0.75	0.840	10.50%	21.00%	42.00%	9	5
	1.50	0.500	6.25%	12.50%	25.00%	15	7
	2.50	0.260	3.25%	6.50%	13.00%	27	13
	4.00	0.160	2.00%	4.00%	8.00%	40	20
50	0.75	2.100	26.25%	52.50%	---	4	2
	1.50	1.250	15.63%	31.25%	62.50%	6	3
	2.50	0.650	8.13%	16.25%	32.50%	12	6
	4.00	0.400	5.00%	10.00%	20.00%	18	9

(*) Referido a un amplificador con un Factor de Amortiguamiento de 200:1.

Las secciones de cable inferiores a 2.50 mm² deben desconsiderarse.

Para instalaciones fijas con cargas a 4 Ohms, es preferible disponer de un cable por sistema de altavoces. No es aconsejable "puentear" las cajas entre sí.