

B SERIES

B3/T - B5/T – B6/T – B6 – B8



Copyright © 2014
All rights reserved

Pol.Ind.Norte-Perpinyà,25
08226 TERRASSA (Barcelona-SPAIN)

info@master-audio.com
www.master-audio.com

Apr / Abr 2014
User's manual / Manual usuario

ENGLISH

1. INTRODUCTION

1.1. General

Master Audio would like to thank you for your confidence in our B Series. We suggest you to read the following instructions carefully in order to obtain the best performance.

1.2. Features and presentation

Your new Master Audio B cabinet is a two-way speaker system designed for multiple solutions, such as conference rooms, shops, classrooms, lounges and convention venues.

B3/T

- Two-way speaker system
- 3" woofer
- 1/2" mylar diaphragm tweeter
- Internal crossover to achieve the best performance
- 16 Ω impedance
- Built-in 100V line transformer
- 20W musical program
- Sensitivity: 86 dB (1W/1m)

B5/T

- Two-way speaker system
- 5.25" woofer with polypropylene cone and rubber surround
- 1" titanium diaphragm tweeter
- Internal crossover to achieve the best performance
- 16 Ω impedance
- Built-in 100V line transformer
- 100W musical program
- Sensitivity: 88 dB (1W/1m)
- Aluminium front grille

B6/T

- Two-way speaker system
- 6.5" woofer with polypropylene cone and rubber surround
- 1" titanium diaphragm tweeter
- Internal crossover to achieve the best performance
- 16 Ω impedance
- Built-in 100V line transformer
- 100W musical program
- Sensitivity: 90 dB (1W/1m)
- Aluminium front grille

B6

- Two-way speaker system
- 6.5" woofer with polypropylene cone and rubber surround
- 1" titanium diaphragm tweeter
- Internal crossover to achieve the best performance
- 16Ω impedance
- 100W musical program
- Sensitivity: 90 dB (1W/1m)
- Aluminium front grille

B8

- Two-way speaker system
- 8" woofer with carbon fibre cone
- 1" titanium diaphragm tweeter
- Internal crossover to achieve the best performance
- 16Ω impedance
- 200W musical program
- Sensitivity: 91 dB (1W/1m)
- Aluminium front grille

2. CONNECTIONS



Fig.1. LEFT: B3/T connectors.
RIGHT: B5/T, B6/T, B6, B8 connectors

All models use two input push terminals. Note that polarity is red = +, black = -.

Connect the amplifier's output channel terminals to the enclosure's input terminals using speaker cable.

Peel off approximately 1cm of the cable's plastic protection, press the terminal's push button and insert the cable.

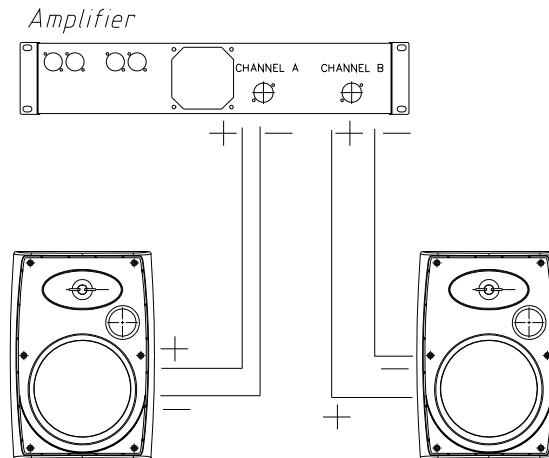


Fig.2. Full range stereo configuration

If you are using a cabinet which includes in-built transformer, use the switch to select the position that corresponds to the required power.



Fig.3. B3/T power selector

Power	Impedance (100V line)
6W	1k6Ω
3W	3k3Ω
1.5W	6k6Ω



Fig.4. B5/T & B6/T power selector

Power	Impedance (100V line)
5W	2kΩ
10W	1kΩ
20W	500Ω
40W	250Ω

If you are working in 100V line mode and you choose (i.e) 40W/250Ω selector, then that (40W) will be the maximum power that will accept the cabinet.

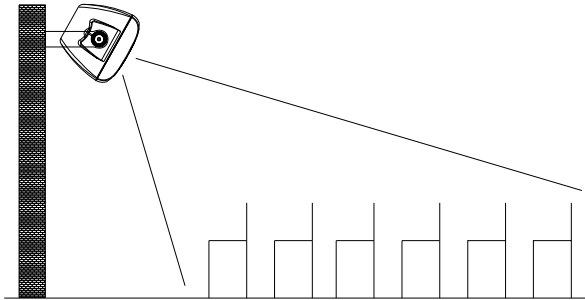
If you are using an amplifier that gives 1200W, then the maximum number of cabinets that you can use will be 30 (1200W/40W).

If you are using an amplifier that gives 2000W, then the maximum number of cabinets that you can use will be 50 (2000W/40W).

3. MOUNTING AND PLACEMENT

For a proper installation of the acoustic cabinets, it is strongly recommended to read carefully the following advices.

3.1. Placement



The cabinets should be located in a high position, slightly inclined to the audience. If the loudspeakers are located too low, the listeners at the end of the room will not hear a good sound quality.

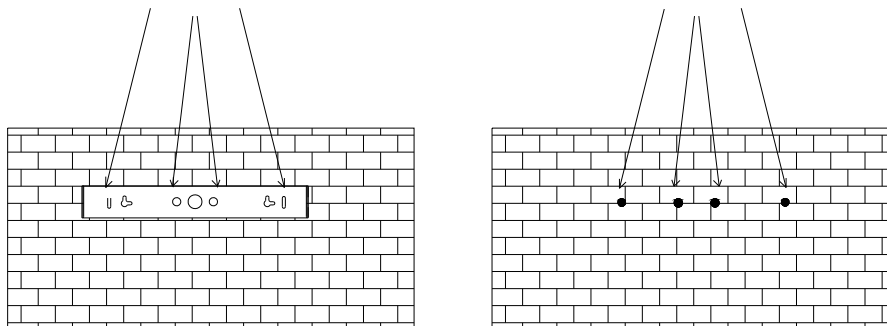
Fig.5. Flying placement

3.2. Flying

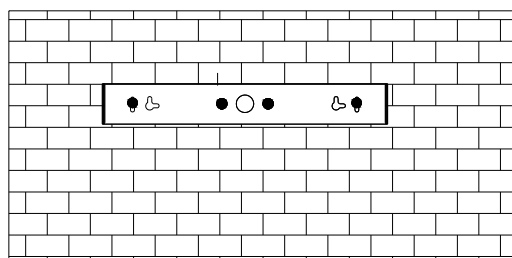
Only experienced people should fly speaker cabinets. Extreme care should be taken to assure the load bearing capabilities of the structures where the cabinets will be placed. Hanging hardware (as chains, eyebolts, lock pins...) should be regularly inspected and replaced if in doubt.

3.2.1. B5/T, B6/T, B6, B8 flying with “U” bracket

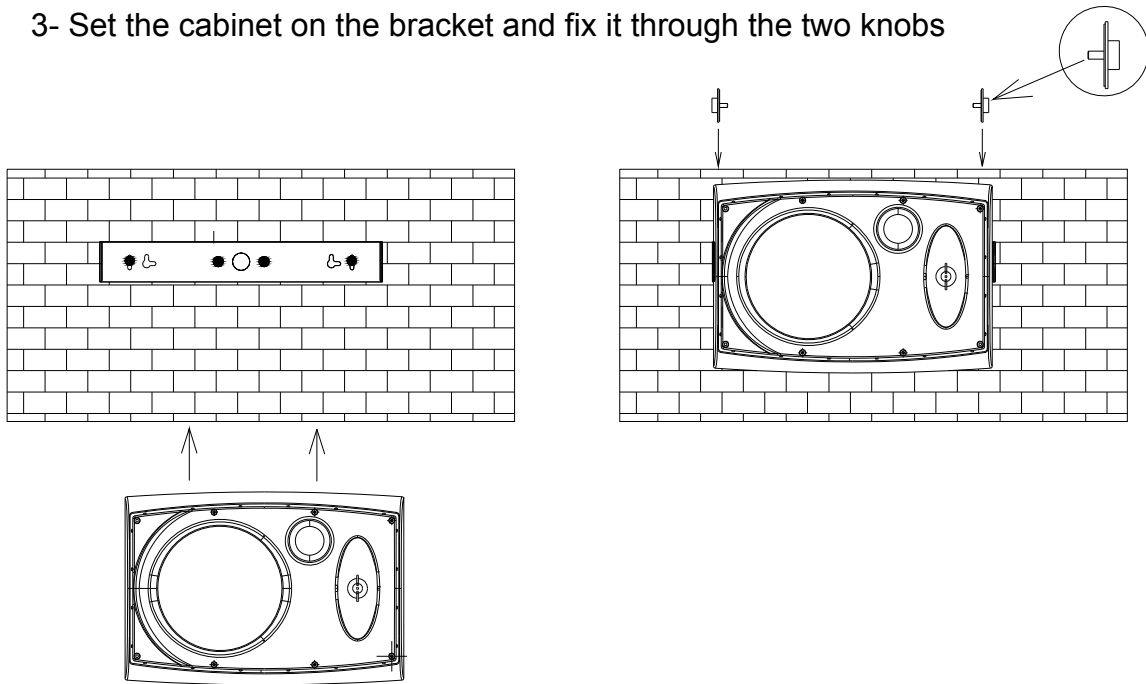
1- Hold the bracket against the mounting surface, so you can mark the locations of the mounting holes



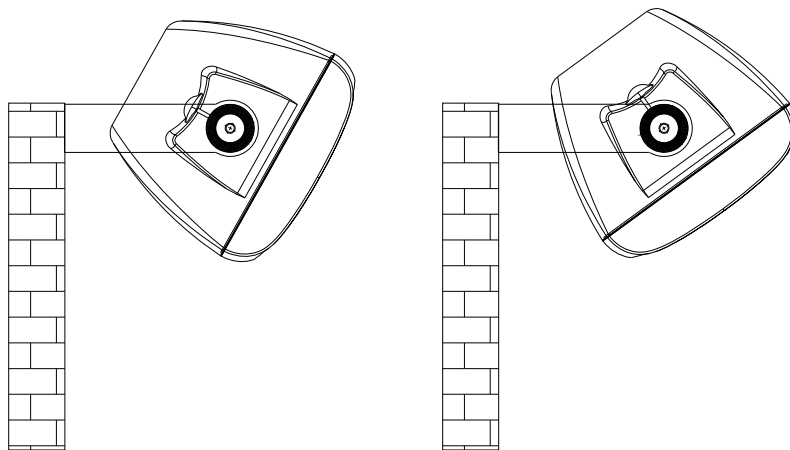
2- Drill corresponding pilot holes on the wall and attach the bracket with screws



3- Set the cabinet on the bracket and fix it through the two knobs

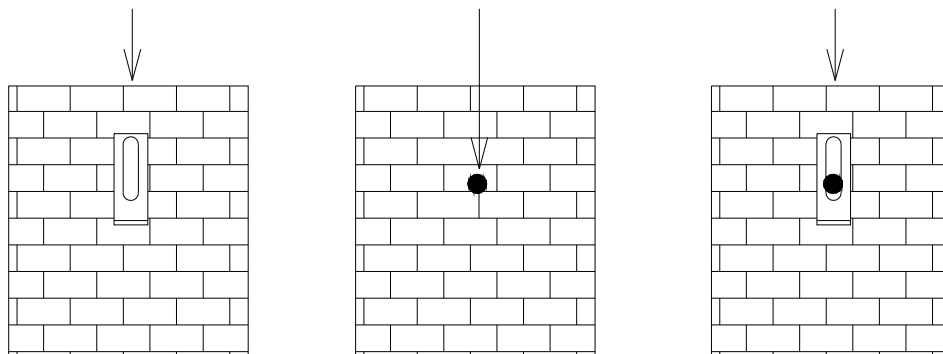


4- Adjust the cabinet for desired position and angle

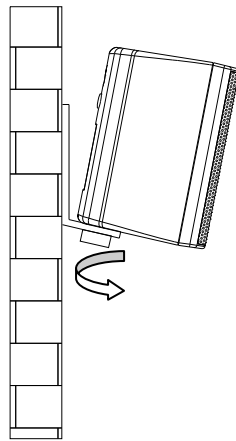


3.2.2. B3/T flying with wall stand

1- Hold the wall stand against the mounting surface, so you can mark the locations of the mounting holes. Drill corresponding pilot holes on the wall and attach the bracket with screws



2- Set the cabinet on the bracket and fix it through the knob



3.3. Rotatable logo

Master Audio logos on the front grille can be rotated in B5/T, B6/T, B6 and B8 cabinets.

3.4. Grille

To remove the front grille, insert two bent paper clips into the holes in the grille and carefully pull it out.

4. TECHNICAL FEATURES

	B3/T	B5/T	B6/T
Power handling			
R.M.S	10W (direct)	50W (direct)	50W (direct)
Program	20W (direct) 100V Line (1.5W/3W/6W)	100W (direct) 100V Line (5W/10W/20W/40W)	100W (direct) 100V Line (5W/10W/20W/40W)
Components LF	1x3" woofer	1x5.25 woofer	1x6.5" woofer
HF	½" Mylar diaph. tweeter	1" Titanium diaph. tweeter	1" Titanium diaph. tweeter
Frequency response (-10dB)	120 Hz – 19kHz	80 Hz – 20kHz	65 Hz – 20kHz
Sensitivity	86 dB	88 dB	90 dB
Impedance	16 Ω	16 Ω	16 Ω
	100V Line (6k6Ω/3k3Ω/1k6Ω)	100V Line (2kΩ/1kΩ/500Ω/ 250Ω)	100V Line (2kΩ/1kΩ/500Ω/ 250Ω)
Directivity (HxV)	90° x 50°	90° x 80°	90° x 80°
Connections	Push terminals	Push terminals	Push terminals
Dimensions (HxWxD)	141x95x101mm	248x170x145mm	310x205x185mm
Weight	0.8 Kg	2.9 Kg	4.6 Kg

	B6	B8
Power handling		
R.M.S	50W	100W
Program	100W	200W
Components LF	1x6.5" woofer	1x8" woofer
HF	1" Titanium diaph. tweeter	1" Titanium diaph. tweeter
Frequency response (-10dB)	65 Hz – 20kHz	55 Hz – 20kHz
Sensitivity	90 dB	91 dB
Impedance	16 Ω	16 Ω
Directivity (HxV)	90° x 80°	90° x 80°
Connections	Push terminals	Push terminals
Dimensions (HxWxD)	310x205x185mm	415x270x250mm
Weight	4.1 Kg	6.1 Kg

5. WARRANTY

All MASTER AUDIO products manufactured by **Amate Electroacústica, s.l.** have been conceived under strict manufacturing rules and have passed rigorous quality controls to guarantee an excellent and long product performance even under the hardest conditions. **Amate Electroacústica, s.l.** extends its Warranty Certificates for each group of products according to their technological characteristics in order to cover manufacturing defects of the product or any of its components, including necessary workmanship for its replacement. The **validity period** depends of each group of products, and it is determined in the following manner:

Electronics: Power amplifiers (*), equalizers (**), mixers (**), limiters (**). For this group of products, the warranty is extended to **THREE** years for all related to circuits and electronic components (in solid state).

Exceptions:

(*): Each series of amplifiers has its own warranty period due to its technological configuration, which is defined in the Instructions Manual or in the commercial catalogue.

(**): The mechanic parts and components submitted to wear out from the own use, such as slide potentiometers, commutators, switches, and connectors, will only have **ONE** year warranty, provided that the wear out is not caused by inappropriate use or by presence of solid or liquid foreign object.

Acoustics: Passive acoustic cabinets. The warranty for this group of products is for **ONE** year for all its components (transducers, passive crossovers, and connectors); provided that the cause of the damage is due to a manufacturing defect or malfunctioning of any of its components (***)

(***) The warranty **WILL NOT** be effective in any case when:

a) Any of the mentioned components present unquestionable traces of destruction by overheating or excess of continuous temperature (burned voice coils or diaphragms), as well as magnetic nucleus displaced by a hit.

b) The parts handled by the user, such as connectors or painted wooden cabinet, also present signs of violence, hits, exposure to continuous and excessive humidity, or mistreat in general.

Electroacoustics: Active acoustic cabinets, that is, self-powered systems (****). In this section of products, the warranty has also two parts:

c) Electronics, that includes in most of the cases the amplification in class AB and D, with its corresponding power sources (linear or commuted) and the rest of the control or processing circuits. In this case, a **TWO**-year warranty is granted.

d) And the acoustic components (electromagnetic transducers – speakers), with **ONE**-year warranty. In this case, the warranty does NOT cover the damages caused by the same causes described in clause (***) . (****) As a general rule for all products, the **WARRANTY DOES NOT COVER** the damages caused by improper use (failure to comply the operations described in the User's Manual, wrong connections, etc.), mistreat during use or accidentally, the internal handling by other than an Authorized Technical Service without the previous authorisation of our own Technical Service .

In case of damaged or defective product:

Please contact your local dealer or check our website www.master-audio.com to find the distributor in your country. As the transport of the material to the Technical Service office is to the charge of the client, we recommend that you take the necessary measures to protect the product to avoid any possibility of damage or wear out during transport. For devolution of a defective new product, it should be sent back in its original packaging with all its accessories and internal protection elements. **Amate Electroacústica, s.l.** reserves the right of not admitting any devolution or damaged material sent back if the packaging is in bad conditions.

Once received the material, the Authorized Technical Service will make an evaluation of the damages and determine the cost of repair or proceed to apply the warranty or replacement of the product if proceeds.

Warranty Rights:

The product indicated in the purchase invoice is for PROFESSIONAL use, and it is protected under the law 23/2003 of July 10th about Warranties in the Sale of Consumer Goods. Notwithstanding, **Amate Electroacústica, s.l.** voluntarily grants WARRANTY over possible defects in manufacturing for the above mentioned period for each Series or group of products.

Conditions: The buyer has been informed about the maintenance required for the material purchased in order to keep it in perfect conditions of use and maintenance, as well as to avoid its wear out. The buyer has also received (corresponding to each case) one Manual with the technical features of the product purchased and the instructions for its correct use. The buyer, after checking the purchased material, accepts the reception of the product without any type of external damage, in good conditions of use, without prejudice of possible nonconformity that could happen as a consequence of its use.

Validity periods: The warranty is effective from the date of purchase of the product, being valid against the presentation of the corresponding invoice, provided that it shows the original serial numbers of the manufacturer matching to the serial numbers shown in the identification labels stuck on every product. Any product that does not have the corresponding serial number could be excluded of any warranty right by unilateral decision of our Commercial Department.

Warranty for products repaired by Amate Electroacústica, s.l.:

Any product or part replaced by the Technical Service of **Amate Electroacústica, s.l.** has a **90-day** warranty from the date of the repair (with the paid invoice), provided that the same failure is produced by the same reasons and is not related to any misuse or mistreat. In any case of technical assistance given by **Amate Electroacústica, s.l.** or any of its Authorized Technical Services, the client cannot demand any compensation for indirect damages arisen from professional services to third parties, as well as the loss of benefits or incomes caused by the product breakdown.

ESPAÑOL

1. INTRODUCCIÓN

1.1. Generalidades

Master Audio le agradece la confianza depositada en nuestros productos de la Serie B. Le sugerimos lea atentamente las indicaciones que a continuación exponemos, confiando en que le serán de gran utilidad para obtener sus mejores resultados.

1.2. Características y presentación

Su nuevo conjunto de altavoces de la serie B es un sistema acústico de dos vías diseñado para múltiples aplicaciones: salas de conferencia, escuelas, tiendas, etc...

B3/T

- Sistema de dos vías
- Altavoz de 3"
- Tweeter de ½" con diafragma de mylar
- Filtro divisor pasivo diseñado con precisión para obtener los mejores resultados
- Impedancia de 16Ω
- Transformador incorporado para conexión a línea de 100V
- 20W de programa musical
- Sensibilidad de 86 dB (1W/1m)

B5/T

- Sistema de dos vías full-range
- Altavoz de 5,25" con cono de polipropileno y suspensión en goma
- Tweeter de 1" con diafragma de titanio
- Filtro divisor pasivo diseñado con precisión para obtener los mejores resultados
- Impedancia de 16Ω
- Transformador incorporado para conexión a línea de 100V
- 100W de programa musical
- Sensibilidad de 88 dB (1W/1m)
- Reja frontal de aluminio

B6/T

- Sistema de dos vías full-range
- Altavoz de 6,5" con cono de polipropileno y suspensión en goma
- Tweeter de 1" con diafragma de titanio
- Filtro divisor pasivo diseñado con precisión para obtener los mejores resultados
- Impedancia de 16Ω
- Transformador incorporado para conexión a línea de 100V
- 100W de programa musical
- Sensibilidad de 90 dB (1W/1m)
- Reja frontal de aluminio

B6

- Sistema de dos vías full-range
- Altavoz de 6,5" con cono de polipropileno y suspensión en goma
- Tweeter de 1" con diafragma de titanio
- Filtro divisor pasivo diseñado con precisión para obtener los mejores resultados
- Impedancia de 16 Ω
- 100W de programa musical
- Sensibilidad de 90 dB (1W/1m)
- Reja frontal de aluminio

B8

- Sistema de dos vías full-range
- Altavoz de 8" con cono de fibra de carbono
- Tweeter de 1" con diafragma de titanio
- Filtro divisor pasivo diseñado con precisión para obtener los mejores resultados
- Impedancia de 16 Ω
- 200W de programa musical
- Sensibilidad de 91 dB (1W/1m)
- Reja frontal de aluminio

2. CONEXIONES



Fig.1. IZQUIERDA: Conectores B3/T
DERECHA: Conectores B5/T, B6/T, B6, B8

Todos los modelos incluyen dos conectores en formato borne. Tener en cuenta siempre la polaridad: rojo = + y negro = -.

Conecte la salida del amplificador a la entrada de cada recinto, a través de cable de altavoz.

Pelar aproximadamente 1cm de la protección de plástico del cable, presione el terminal borne de la caja e inserte el cable.

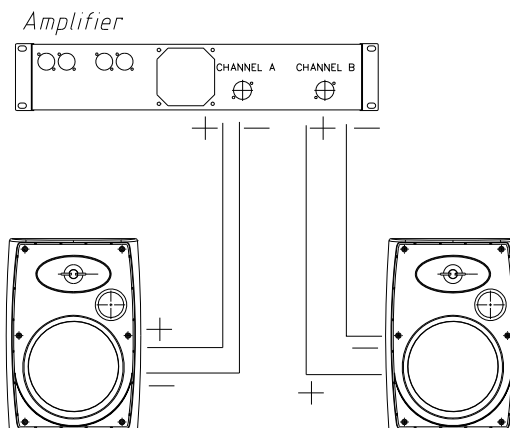


Fig.2. Configuración estéreo full range

Si está usando un recinto con transformador incorporado, seleccione la posición que se corresponda con la potencia deseada.



Potencia	Impedancia (línea 100V)
6W	1k6Ω
3W	3k3Ω
1.5W	6k6Ω

Fig.3. Selector de potencia B3/T



Potencia	Impedancia (línea 100V)
5W	2kΩ
10W	1kΩ
20W	500Ω
40W	250Ω

Fig.4. Selector de potencia B5/T y B6/T

Si está trabajando en modo línea 100V y escoge (por ejemplo) la posición de selector 40W/250Ω, la máxima potencia que aceptará la caja será 40W.

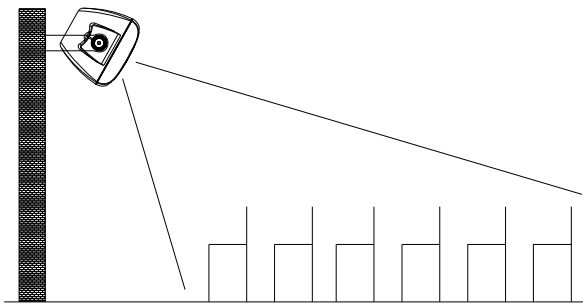
Si usa un amplificador de 1200W, el máximo número de cajas que se pueden conectar será 30 (1200W/40W).

Si usa un amplificador de 2000W, el máximo número de cajas que se pueden conectar será 50 (2000W/40W).

3. MONTAJE E INSTALACIÓN

Para la adecuada instalación de los sistemas de cajas acústicas se recomienda lea atentamente los siguientes consejos.

3.1. Posicionamiento



Siempre que sea posible coloque las cajas en posición elevada, ligeramente inclinadas hacia la audiencia. Si las cajas se colocan a una altura cercana al suelo los oyentes de las últimas filas recibirán un sonido de baja calidad.

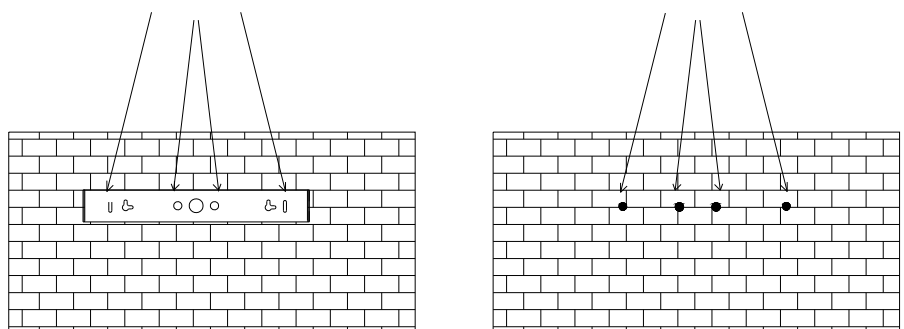
Fig.5. Posicionamiento en formato volado

3.2. Volado

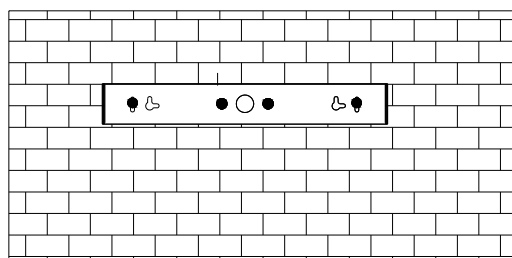
Sólo personal especializado debe realizar el volado de sistemas acústicos. Asegúrese del peso que es capaz de soportar la estructura sobre la cual se va a colgar la caja. El hardware de volado (cadenas, pasadores, anillas...) debe ser revisado regularmente y, en caso de cualquier duda, debe ser reemplazado por material nuevo.

3.2.1. Volado B5/T, B6/T, B6, B8 con soporte “U”

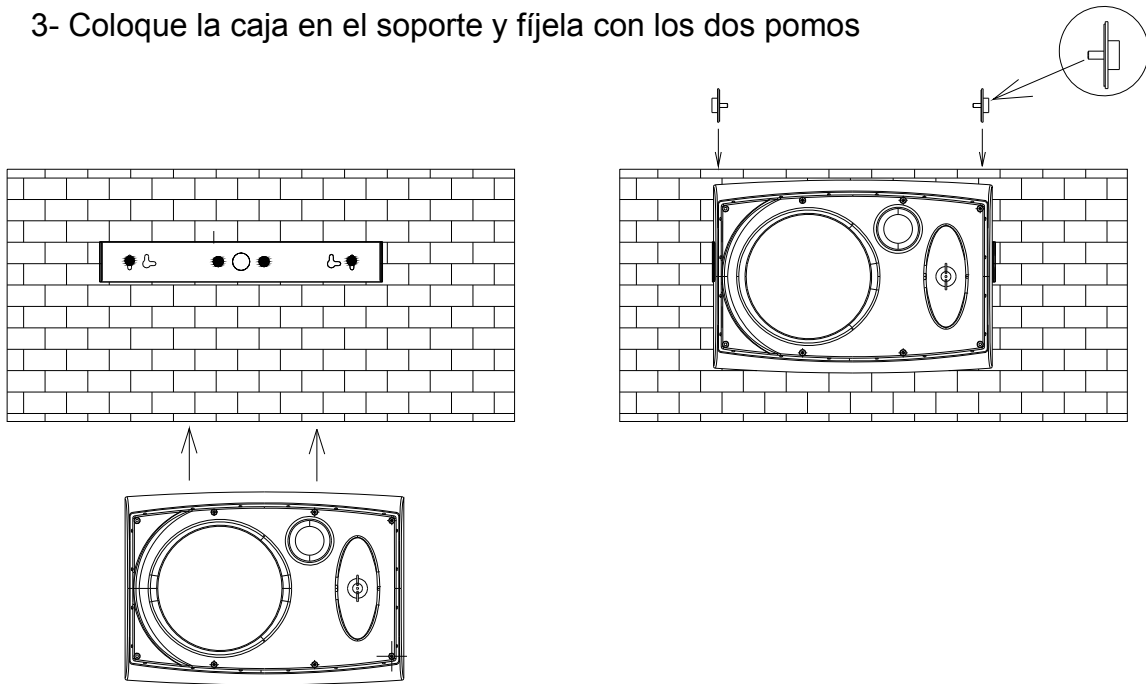
1- Sitúe el soporte cerca de la pared donde vaya a colgar la caja y marque la localización de los puntos de soporte



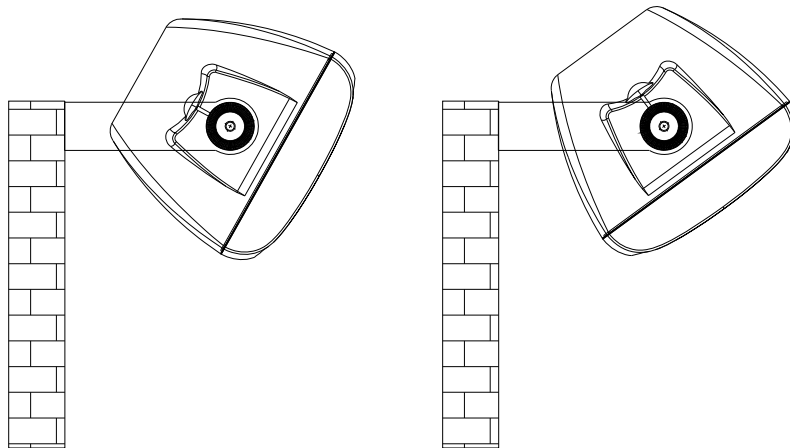
2- Realice los taladros en la pared y cuelgue el soporte con tornillería adecuada y de alta resistencia



3- Coloque la caja en el soporte y fíjela con los dos pomos

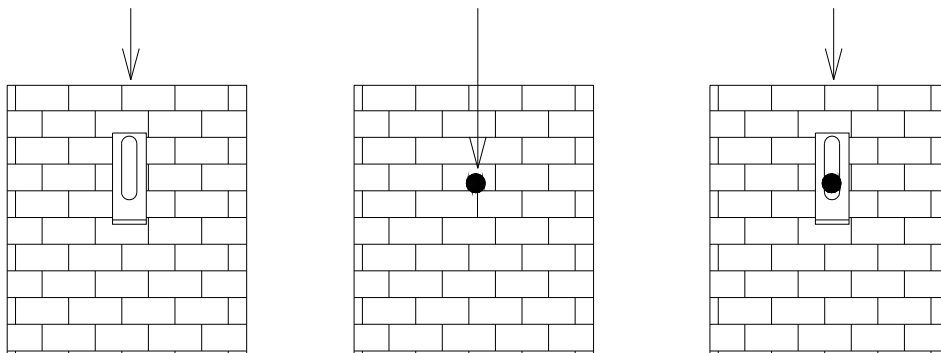


4- Ajuste la caja a la posición y ángulo deseado

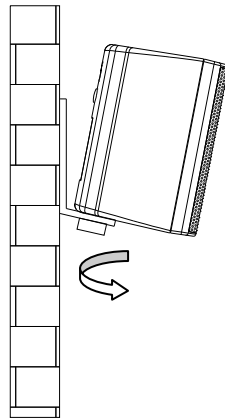


3.2.2. Volado B3/T con soporte pared

1- Sitúe el soporte cerca de la pared donde vaya a colgar la caja y marque la localización de los puntos de soporte. Realice los taladros en la pared y cuelgue el soporte con tornillería adecuada y de alta resistencia



2- Coloque la caja en el soporte y fíjela con el pomo



3.3. Giro del logotipo “Master Audio”

Los logotipos “Master Audio” de los modelos B5/T, B6/T, B6 y B8 pueden girarse para adaptarse a la posición de la caja (horizontal o vertical).

3.4. Reja

Para quitar la reja, inserte la punta de dos clips por los agujeros de la reja y presione hacia fuera con cuidado. Repita esta operación alrededor del perímetro de la reja hasta que quede totalmente liberada

4. ESPECIFICACIONES TÉCNICAS

	B3/T	B5/T	B6/T
Potencia			
R.M.S	10W (directo)	50W (directo)	50W (directo)
Programa	20W (directo) 100V Line (1.5W/3W/6W)	100W (directo) 100V Line (5W/10W/20W/40W)	100W (directo) 100V Line (5W/10W/20W/40W)
Componentes	1x3” woofer	1x5.25 woofer	1x6.5” woofer
LF			
HF	½” Mylar diaph. tweeter	1” Titanium diaph. tweeter	1” Titanium diaph. tweeter
Respuesta frecuencia (-10dB)	120 Hz – 19kHz	80 Hz – 20kHz	65 Hz – 20kHz
Sensibilidad	86 dB	88 dB	90 dB
Impedancia	16 Ω	16 Ω	16 Ω
	100V Line (6k6Ω/3k3Ω/1k6Ω)	100V Line (2kΩ/1kΩ/500Ω/ 250Ω)	100V Line (2kΩ/1kΩ/500Ω/ 250Ω)
Directividad (HxV)	90° x 50°	90° x 80°	90° x 80°
Conexiones	Bornes a presión	Bornes a presión	Bornes a presión
Dimensiones (AlxAnxPr)	141x95x101mm	248x170x145mm	310x205x185mm
Peso	0.8 Kg	2.9 Kg	4.6 Kg

	B6	B8
Potencia		
R.M.S	50W	100W
Programa	100W	200W
Componentes	1x6.5" woofer	1x8" woofer
LF		
HF	1" Titanium diaph. tweeter	1" Titanium diaph. tweeter
Respuesta frecuencia (-10dB)	65 Hz – 20kHz	55 Hz – 20kHz
Sensibilidad	90 dB	91 dB
Impedancia	16 Ω	16 Ω
	90° x 80°	90° x 80°
Directividad (HxV)	Bornes a presión	Bornes a presión
Conexiones	310x205x185mm	415x270x250mm
Dimensiones (AlxAnxPr)	4.1 Kg	6.1 Kg

5. GARANTÍA

Todos los productos de la marca MASTER AUDIO distribuidos por Amate Electroacústica, sl., han sido concebidos bajo las más estrictas normas de fabricación y han superado los más rigurosos controles de calidad, para garantizar un excelente y largo funcionamiento aún en las condiciones más adversas.

Amate Electroacústica, s.l. extiende sus Certificados de Garantía para cada grupo de productos de acuerdo a sus características tecnológicas con el fin de cubrir cualquier defecto de fabricación o de cualquiera de sus componentes, incluida la Mano de Obra necesaria para su reposición. El **período de validez** depende de cada grupo de productos, y se determina de la siguiente forma:

Electrónica: Amplificadores de potencia (*), ecualizadores (**), mezcladores (**), limitadores (**). Para este grupo de productos la Garantía se extiende hasta los **TRES** años en todo lo que se refiera a circuitos y componentes electrónicos (de estado sólido).

Salvedades:

(*): Cada serie de amplificadores dispone de su propio período de Garantía debido a su configuración tecnológica, y definido en el propio Manual de Instrucciones o catálogo comercial.

(**): Las partes y componentes mecánicos sometidos a desgaste por el propio uso, como potenciómetros rotativos o deslizantes, conmutadores, interruptores y conectores, solo dispondrán de UN año de Garantía, siempre que su deterioro no haya sido causado por un mal uso o por presencia de cuerpos o líquidos extraños a su naturaleza.

Acústica: Cajas acústicas pasivas. La Garantía para este grupo de productos es de **UN** año para todos sus componentes (transductores, filtros pasivos y conectores) siempre que la causa de la avería pueda achacarse a un defecto de fabricación o de mal función de uno de sus componentes (***)).

(***) La Garantía NO será efectiva en ningún caso, cuando:

a): Cualquiera de los componentes mencionados presente señales inequívocas de destrucción por sobrecalentamiento o exceso de temperatura continuada (bobinas o membranas quemadas), así como núcleos magnéticos desplazados por golpes.

b): O cuando las partes manipulables por el usuario, como, conectores o la propia caja de madera

pintada, presente también señales de violencia, golpes, haberse sometido a humedad continua y excesiva o mal trato en general.

Electroacústica: Cajas acústicas Activas, es decir, dotadas de autoamplificación. En este apartado de productos la Garantía se extiende también en dos vertientes:

c): La Electrónica, que abarca en la mayoría de casos la amplificación en clase AB y D, con sus respectivas Fuentes de Alimentación (lineales o Conmutadas) y el resto de circuitos de Control o Procesamiento. En este caso la Garantía será de **DOS** años.

d): Y por otro lado los componentes acústicos (transductores electromagnéticos – altavoces-) cuya Garantía será de **UN** año. En este caso la Garantía NO cubrirá las averías causadas por los mismos motivos descritos en la salvedad (***)).

Como norma general para todos los productos, la **GARANTÍA NO CUBRE** los daños ocasionados por manejo negligente (incumpliendo las normas de funcionamiento especificadas en los Manuales del Usuario, conexiones equivocadas, etc.), mal trato en su uso o accidentalmente. La manipulación interna fuera de un Servicio Técnico Autorizado o sin la debida autorización de nuestro propio SAT.

Cómo enviar un producto averiado o defectuoso:

En primer lugar será necesario contactar por teléfono con nuestro SAT (+ 34 93 735 65 65), para establecer el proceso de devolución o envío después de exponer claramente los síntomas de la avería o malfuncionamiento.

Si nuestro SAT autoriza el envío del material afectado, éste será remitido por la agencia de transporte preferente por el cliente con Portes Pagados, a la dirección: C/. Perpinyà, 25 (Pol. Ind. Norte) -08226- Terrassa (BCN).

Como el material viaja por cuenta del Cliente, se recomienda se tomen las medidas oportunas para la debida protección del material, evitando así cualquier posibilidad de desperfecto o deterioro durante su transporte. Y si se trata de una devolución de producto nuevo defectuoso, deberá ser remitido en su embalaje original con todos sus accesorios y elementos de protección internos. Amate Electroacústica, se reserva el derecho de no admitir ninguna devolución o envío de material averiado si el embalaje presenta un mal estado.

Una vez recibido el material, nuestro SAT efectuará una evaluación de los daños observados y determinará el costo de la reparación o la aplicación de la Garantía, o bien la reposición del material defectuoso si procede.

En el caso de aplicación de Garantía o reposición de producto, éste viajará por nuestra cuenta con Gastos pagados. Si no procede la aplicación de la Garantía el material será devuelto una vez reparado, por cuenta y riesgo del Cliente mediante la agencia que el remitente nos indique.

Derechos de Garantía:

El material incluido en la factura de compra es de uso PROFESIONAL y por tanto no está amparado por la ley 23/2003 de 10 de julio, sobre Garantías en la Venta de Bienes de Consumo, no obstante Amate Electroacústica, s.l. concede una GARANTÍA voluntariamente sobre posibles defectos de fabricación, por el tiempo especificado anteriormente para cada Serie o grupo de productos.

Condiciones: El comprador ha sido informado del mantenimiento requerido por el material que adquiere a fin de mantener el mismo en perfectas condiciones de uso y conservación así como de evitar su deterioro. También ha recibido (en su caso) un Manual con las características técnicas del material que adquiere y las instrucciones para su utilización correcta. El comprador, después de revisar el material que adquiere, lo recibe sin que el mismo presente ningún tipo de deterioro externo y en condiciones de uso, sin perjuicio de posibles faltas de conformidad que se presenten como consecuencia de su utilización.

Períodos de validez: La Garantía es efectiva a partir de la fecha de compra del producto, siendo válida la presentación de la correspondiente factura de compra siempre y cuando figure en ella los N° de Serie originales del fabricante que deben ser coincidentes con los reflejados en las etiquetas de identificación adheridas a todo producto. Cualquier aparato que no disponga del correspondiente N° de serie podrá ser excluido de cualquier derecho de Garantía.

Garantía sobre productos reparados por Amate Electroacústica,s.l.:

Todo producto reparado o pieza substituida por los Servicios Técnicos Autorizados de Amate Electroacústica, s.l., dispone de una Garantía de **90 días** a partir de su fecha de reparación (con Factura Pagada), siempre que la misma avería se reproduzca por los mismos motivos y no tenga relación alguna con un mal uso o manipulación inadecuada. (R.D. 58/1998 del 29/01/88).

En ningún caso de Asistencia Técnica dispensada por Amate Electroacústica,s.l. o cualquiera de sus Servicios Técnicos Autorizados, el cliente podrá exigir compensaciones por daños indirectos derivados de sus prestaciones profesionales a terceros, como la pérdida de beneficios o ingresos ocasionados por la avería del producto.